

# HÆGER



Storage Electric Water Heater / Termoacumulador Eléctrico / Termo  
Electrico / Chauffe-Eau Électrique / Ηλεκτρικός Θερμοσίφωνας

## **Aquadream 30L & 50L** **TA-30D.001A / TA-50D.002A**



Download  
Multi-language file

**CE** RoHS

**User instructions / Instruções de uso**  
**Instrucciones de uso / Mode d'emploi**  
**Οδηγίες χρήστη**

- Read this manual carefully before running this appliance and save it for reference in order to obtain the best results and ensure safe use.
- Leia atentamente este manual antes de colocar o aparelho em funcionamento e guarde-o para consulta, a fim de obter os melhores resultados e garantir uma utilização segura.
- Lea atentamente este manual antes de poner en funcionamiento este aparato y guárdelo como referencia para obtener los mejores resultados y garantizar un uso seguro.
- Lisez attentivement ce manuel avant d'utiliser l'appareil et conservez-le pour vous y référer afin d'obtenir les meilleurs résultats et de garantir une utilisation sûre.
- Διαβάστε προσεκτικά το παρόν εγχειρίδιο πριν από τη λειτουργία της συσκευής και φυλάξτε το για αναφορά, προκειμένου να επιτύχετε τα καλύτερα αποτελέσματα και να διασφαλίσετε την ασφαλή χρήση.

## English

### Dear customer

Thank you for having chosen a HÆGER product.

The HÆGER products have been produced to think about the welfare of the consumer privileging the most raised standards of quality, functionality and assign. We are sure you will be happy with this appliance.

We assume that the user is familiar with the common procedures of handling household appliances.

Before using the appliance for the first time please read carefully and thoroughly through these operating instructions and the safety advice, completely familiarising yourself with the appliance. Retain these instructions for future reference and pass them on to whoever might acquire the appliance at a future date.

### Special advice

- Before installing this water heater, check and confirm that the earthing on the supply socket is reliably grounded. Otherwise, the electric water heater shall not be installed and used.
- Do not use extension boards.
- Incorrect installation and use of this electric water heater may result in serious injuries to human bodies and losses of property.
- **WARNING:** This appliance is not to be used for a potable water supply. The water inlet of this appliance shall not be connected to inlet water obtained from any other water heating system.

### General Safety Precautions

- Read the instructions and warning in this manual carefully, they contain important information regarding safe installation, use and maintenance.
- The manufacturer shall not liable for any injury to people, animals or damage to property caused by improper, incorrect or unreasonable use or failure to follow the instructions reported in this publication.
- Installation and maintenance must be performed by professionally qualified personnel as specified in the relative paragraphs. Only use original spare parts. Failure to observe the above instructions can

compromise the safety of the appliance and relieves the manufacturer of any liability for the consequences.

- **The appliance may not be used by persons under 8 years of age, with reduced physical, sensory or mental capacity, or lacking the requisite experience and familiarity, unless under supervision or following instruction in the safe use of the appliance and the hazards attendant on such use.**
- **DO NOT** permit children to play with the appliance. User cleaning and maintenance may not be done by unsupervised children.
- **DO NOT** touch the appliance when barefoot or if any part of your body is wet.
- **DO NOT** leave the packaging materials (staples, plastic bags, expanded polystyrene, etc.) within the reach of children – they can cause serious injury.
- Before using the device and after routine or extraordinary maintenance, we recommend filling the appliance's tank with water and draining it completely to remove any residual impurities.
- If the appliance is equipped with a power cord, the latter may only be replaced by an authorised service centre or professional technician.
- It is mandatory to screw on the water inlet pipe of the unit a safety valve in accordance with national regulations. In countries which have enacted EN 1487, the safety group must be calibrated to a maximum pressure of 0,7 MPa and include at least a cock, check valve and control, safety valve and hydraulic load cutout.
- Do not tamper with the overpressure safety device (valve or safety group), if supplied together with the appliance; trip it from time to time to ensure that it is not jammed and to remove any scale deposits.
- It is normal that water drips from the overpressure safety device when the appliance is heating. For this reason, the drain must be connected, always left open to the atmosphere, with a drainage pipe installed in a continuous downward slope and in a place free of ice.
- Make sure you drain the appliance and disconnect it from the power grid when it is out of service in an area subject to subzero temperatures.
- Water heated to over 50°C can cause immediate serious burns if delivered directly to the taps. Children, disabled persons and the aged

are particularly at risk. We recommend installing a thermostatic mixer valve on the water delivery line, marked with a red collar.

- Do not leave flammable materials in contact with or in the vicinity of the appliance.
- Do not place anything under the water heater which may be damaged by a leak.

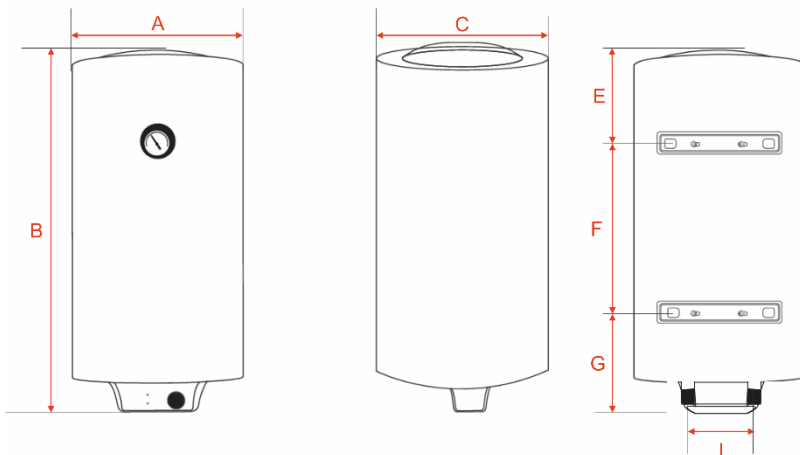
## Technical Characteristics

For the technical specifications, refer to the nameplate (the nameplate is located next to the water intake/outlet pipes).

| Model   | Uni  | TA-30D.001A | TA-50D.002A |
|---|------|-------------|-------------|
| Water tank capacity                               | L    | 30          | 50          |
| Rated Power                                       | W    | 2000        | 2000        |
| Rated Voltage                                     | ACV  | 220 – 240   | 220 – 240   |
| Rated water pressure                              | MPa  | 0.75        | 0.75        |
| Max. water temperature                            | (°C) | 75          | 75          |
| Waterproof IP grade                               | -    | IPX4        | IPX4        |
| Protection Class                                  | -    | I           | I           |
| Installation                                      | -    | Vertical    | Vertical    |
| Daily electricity consumption – (Qelec)           | kWh  | 2.353       | 5.886       |
| Load profile of the size                          | -    | S           | M           |
| Water heating energy efficiency - ( $\eta_{wh}$ ) | %    | 36.6        | 39.8        |
| Water heating energy efficiency class             | -    | B           | B           |
| Sound power level (inside) – (Lwa)                | dB   | 15          | 15          |
| Mixed water at 40°C - (V40)                       | L    | -           | 76          |
| Annual Energy Consumption – (AEC)                 | kWh  | 504         | 1291        |

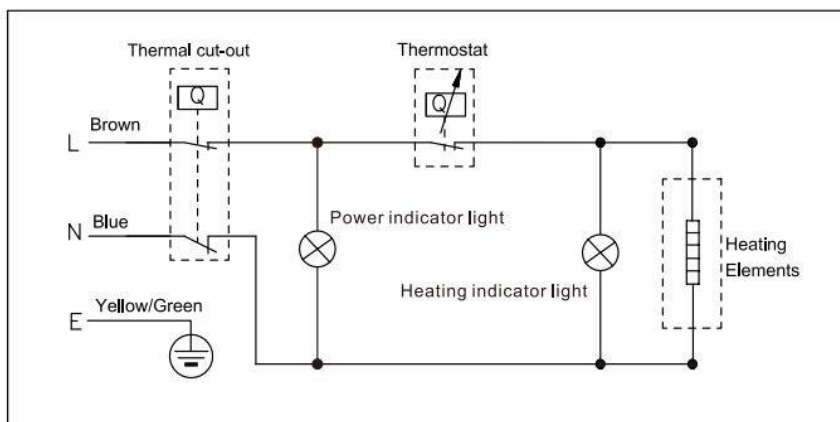
The power consumption data and the other information given in the above table are based on the Regulations (EU) 812/2013 and 814/2013.

## Product Dimensions for Installation (vertical mode)



|          | TA-30D.001A | TA-50D.002A |
|----------|-------------|-------------|
| Capacity | 30 L        | 50 L        |
| A (mm)   | 340         | 340         |
| B (mm)   | 555         | 810         |
| C (mm)   | 340         | 340         |
| D (mm)   | 205         | 205         |
| E (mm)   | 150         | 155         |
| F (mm)   | 180         | 450         |
| G (mm)   | 225         | 205         |
| I (mm)   | 100         | 100         |
| Weight   | 11.6 kg     | 16.4 kg     |

## Wiring Diagram



## Brief Introduction of product structure

|  |  |
|--|--|
|  | <ol style="list-style-type: none"> <li>1 – Thermometer</li> <li>2 – Hot water pipe</li> <li>3 – Cold water pipe</li> <li>4 – Drain valve</li> <li>5 – Safety valve</li> <li>6 – Drain to the sewer</li> <li>7 – Inlet</li> <li>8 – Main shut-off valve</li> <li>9 – cold water line</li> <li>10 – hot water line</li> <li>11 - cold water shut-off valve</li> <li>12 – hot water shut-off valve</li> <li>13 – protective cover</li> <li>14 – safety valve outlet pipe</li> <li>15 – safety valve opening handle</li> <li>16 – control panel</li> </ol> |
|  | <ol style="list-style-type: none"> <li>1 – Indicator “Heating”</li> <li>2 – Indicator “Power”</li> <li>3 – Temperature controller</li> </ol>   |

## Performance characteristics

- Completely automatic control: automatic addition of cold water, automatic heating.
- Four-fold safety protection: multiple safety protection devices, such as dry heating protection, extra-temperature protection, electric leakage protection, high hydraulic pressure protection, anti-rust protection etc., safe and reliable.

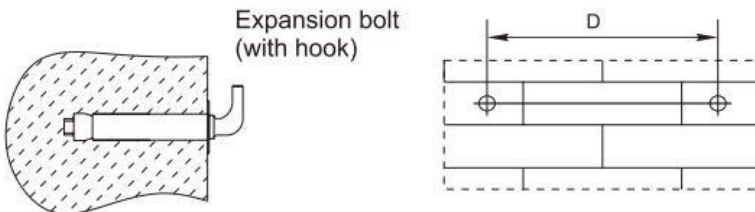
- Enameled inner container: manufactured by using advanced enameling technique. It is anti-rust, corrosion-proof, incrustation-resistant, leak-proof, with longer lifetime.
- Heating element designed with low thermal load: safe and reliable, for longer lifetime.
- Thickened urethane integral foaming: good thermal insulation effect, energy efficient and electricity saving.
- Temperature controller: Accurate and reliable control of temperature.
- Adjustable range of water temperature from 30 to 75°C.
- Simple and easy to use.

## Methods of installation

**Note:** Please be sure to use the accessories provided along with the product to install this electric water heater. This electric water heater cannot be hung on the support until it has been confirmed to be firm and reliable. Otherwise, the electric water heater may drop off from the wall, resulting in damage of the heater, even serious accidents of injury. When determining the locations of the bolt holes, it shall be ensured that there is a clearance not less than 0.2m on the right side of the electric heater, to convenient the maintenance of the heater, if necessary.

## Installation instructions

1. This electric water heater shall be installed in the solid wall. If the strength of the wall cannot bear the load equal to two times of the total weight of the heater filled fully with water, it is necessary to install a special support.
2. After selecting a proper location, determine the positions of the two install holes used for expansion bolts with hook. According to the drawing size D, make two holes in the wall with the corresponding depth and size matching the expansion bolts, insert the bolt, turn the hook upwards, tighten the nuts to fix firmly, and then hang the water heater on it.





3. Install the supply socket in the wall. The supply socket should be 3 pins, single phase, 230V/16A. It is recommended to place the socket on the right above the heater. The height of the socket to the ground shall not be less than 1.8m.
4. If the bathroom is too small, the heater can be installed at another place. However, in order to reduce the pipeline heat losses, the installation position of the heater shall be closed to the location for use of water as near as possible.

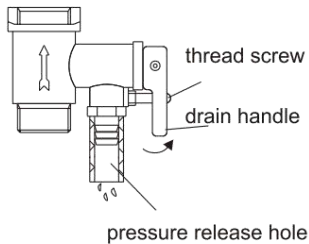
## Connection of pipelines

1. The dimension of each pipe part is G1/2".
2. Connection of one-way safety valve: install the one-way safety valve attached with the machine at the water inlet of the main machine. (Pay attention to keep the installed drainage flexible pipes of the safety valve sloping downward and connected with the atmosphere.)
3. In order to avoid leakage when connecting the pipelines, the rubber seal gaskets provided with the machine must be added at the end of the threads.

## Special Caution

- The wall in which the electric water heater is installed shall be able to bear the load more than two times of the heater filled fully with water without distortion and cracks, otherwise, other strengthening measures shall be adopted.
- The supply socket must be earthed reliably. The rated current of the socket shall not be lower than 16A.
- The installation height of the socket shall not be lower than 1.8m. The socket and plug shall be kept dry to prevent electric leakage. Inspect frequently whether the plugs contact well with the socket.
- For the use of the first time (or the first use after maintenance or clean), the heater cannot be switched on until it has been filled fully with water. When filling the water, at least one of the outlet valves at the outlet of the heater must be opened to exhaust the air. This valve can be closed after the heater has been filled fully with water.
- The pressure relief valve attached with the heater must be installed at the cold-water inlet of this heater, and make sure it is not exposed in the foggy.
- The water may be outflowed from pressure relief valve, so the outflow pipe must open wide in the air.

- In order to drain away the water inside the inner container, it can be drained away from the pressure release valve. Twist the thread screw of the pressure release valve off, and lift the drain handle upwards.



- The drainage pipe connected to the pressure release hole must be kept sloping downwards and in a frost-free environment. The water may drip from the discharge pipe of the pressure-relief device and that this pipe must be left open to the atmosphere.
- The pressure relief valve needs to be checked and cleaned regularly, so as to make sure it will not be blocked.
- Since the water temperature inside the heater can reach up to 75°C, the hot water must not be exposed to human bodies when it is initially used. Adjust the water temperature to a suitable temperature to avoid scalding.
- If the flexible power supply cord is damaged, the special supply cord provided by the manufacturer must be selected, and replaced by the professional maintenance personnel
- If any parts and components of this electrical water heater are damaged, please contact customer after sales for repair.

## Methods of use

- First, open any one of the outlet valves at the outlet of the water heater, then, open the inlet valve. The water heater gets filled with water. When water flows out of the outlet pipe it implies that the heater has been filled fully with water, and the outlet valve can be closed.

**Note:** During normal operation, the inlet valve shall be set in the status of "open".

- Insert the supply plug into the socket, the heating indicator light will be on at this time.
- The thermostat will automatically control the temperature. When the water temperature inside the heater has reached the set temperature, it will switch

off automatically, when the water temperature falls below the set point the heater will be turned on automatically to restore the heating.

## Maintenance

1. Check the power supply plug and socket frequently to make sure that they have good, reliable contact and are well grounded without overheating phenomenon.
2. If the heater is not used for a long time, especially in the regions with low atmospheric temperature (lower than 0°C), the water inside the heater shall be drained away. This will prevent the damage to the heater due to water freezing in the inner container, (Refer Special Cautions in this manual for the methods to drain away the water from the inner container).
3. In order to ensure that the water heater operates efficiently for long time, it is recommended to clean the inner container and the deposits on the electrical heating components periodically.
4. It is recommended to examine the anode protection materials every six months or so. If all the material has been consumed, please replace with the new material.

## Troubleshooting

| Failures                                     | Reasons  | Treatment  |
|--|--|--|
| The heating indicator light is off.          | Failures of the temperature controller.  | Contact with the professional personnel for repair.  |
| No water coming out of the hot water outlet. | 1. The running water supply is cut off.<br>2. The hydraulic pressure is too low.<br>3. The inlet valve of running water is not open. | 1. Wait for restoration of running water supply.<br>2. Use the heater again when the hydraulic pressure is increased.<br>3. Open the inlet valve of running water. |
| The water temperature is too high.           | Failures of the temperature control system.  | Contact with the professional personnel for repair.  |
| Water leak                                   | Seal problem of the joint of each pipe.  | Seal up the joints.  |

## Conformity CE

This product has been tested and produced according to all relevant current CE guidelines, such as:



- Electromagnetic compatibility Directive 2014/30/EU,
- Low voltage Directive (LVD) Directive 2014/35/EU,
- RoHS with its amendments Directive EU 2015/863,
- ErP Energy related Products Directive 2009/125/EC

and has been constructed in accordance with the latest safety regulations. The CE mark attests this product with all relevant directives.

## Disposal – Environment policy

### Packing



The packaging material is entirely recyclable and marked with the recycling symbol. Follow local regulations for scrapping. Keep the packaging materials (plastic bags, polystyrene parts, etc.) out of reach of children, as they are potentially dangerous.

### Disposal

**This appliance is marked according to the European directive 2012/19/EU on Waste Electrical and Electronic Equipment (WEEE).**

By ensuring this product is disposed of correctly, you will help prevent potential negative consequences for the environment and human health, which could otherwise be caused by inappropriate waste handling of this product.



This symbol on the product, or on the documents accompanying the product, indicates that this appliance may not be treated as household waste. Instead, it shall be handed over to the applicable collection point for the recycling of electrical and electronic equipment.

Disposal must be carried out in accordance with local environmental regulations for waste disposal. For more detailed information about treatment, recovery and recycling of this product, please contact your local city office, your household waste disposal service or the shop where you purchased the product.

# Warranty Declaration

## Warranty Terms and Conditions

1. The product is guaranteed for the period stipulated by the legislation where it is placed on the market, starting from the date of purchase, against manufacturing defects and/or workmanship. The lack of conformity manifested in this period is presumed to exist at the date of purchase. After this period, it is for the customer to prove that the lack of conformity already existed at the time of delivery.
2. If, during the warranty period, the product is defective in normal use, the buyer should contact the selling establishment and send the appliance to the place indicated by the seller.
3. The warranty is only valid upon presentation of the invoice proving the purchase and the completed warranty certificate (indicating the date of purchase, the name of the dealer, the reference of the model, and it is also recommended to indicate the serial number and lot number).
4. The importer/seller reserves the right to refuse warranty assistance in the event that such information has been deleted or altered after the original purchase of the product.
5. The responsibility of the importer/seller includes in particular the costs of repairing and/or replacing the unit covered by the warranty with the reservation of the right to replace it with an equivalent product, in cases where it is not possible to repair it.
6. The warranty does not apply to problems that are not directly related to defects in material, design or workmanship.
7. This product is an appliance and is intended for home use only. The warranty will be void if the product is used for professional purposes.
8. The warranty does not cover damage caused by misuse, improper installation, spillage, external factors, or intentional damage.
9. The warranty does not cover damage resulting from falls, use of excessive force, blows, exposure to extreme environmental conditions or deterioration caused by the normal use of plastic parts or keyboards, as well as the use of batteries other than those specified in this manual.
10. The warranty does not cover installation and programming by the dealer. In particular, no claim for installation and free programming by the reseller may be accepted.
11. The warranty does not cover deficiencies that insignificantly impair the operation of the appliance. Other costs, such as installation, transportation and travel of the technician are expressly excluded from the warranty.
12. The applicability of the warranty presupposes that the appliance is sent to the seller or place indicated by him, complete and in well-protected packaging (if possible, in its original packaging) and accompanied by its sheet or warranty card duly filled out and proof of purchase.
13. If after verification, it is found that there are no reasons for the claim, or that the product is not defective, the inherent costs will be imputed to the customer, and the dealer is authorized to charge those costs to the customer.
14. The warranty will be void when it shows signs that an unauthorized person has attempted to carry out repairs, modifications or replacement of parts on the appliance.
15. Repairs carried out after the end of the warranty period are subject to costs.
16. This warranty does not affect your legal rights that you may have as a consumer under applicable national law governing the purchase of products where the product is sold.
17. **Warranty Period:**
  - European Union countries** - European Directives (EU) 2019/771 and (EU) 2019/770 apply on certain aspects of contracts for the purchase and sale of movable property and transposed into the national laws of their countries.
  - Other countries** - national legislation on consumer rights in their country applies. In the case of no official legislation, the guarantee shall be applied at the discretion of the importer placing the product on the market or the seller establishment.

# Português

## Estimado Cliente

Obrigado por ter escolhido um produto HÆGER.

Os produtos HÆGER foram concebidos a pensar no bem-estar do consumidor, privilegiando os mais elevados padrões de qualidade, funcionalidade e designe. Estamos certos da sua satisfação pela aquisição deste produto.

Partimos do princípio de que o utilizador possui conhecimentos gerais sobre o manuseamento com eletrodomésticos.

Antes da primeira utilização, leia cuidadosa e totalmente estas instruções de utilização e de segurança e familiarize-se com as funções do aparelho. Guarde estas instruções e, se necessário, entregue-as a terceiros.

## Conselhos especiais

- Antes de instalar este termoacumulador, verifique e confirme se a ligação à terra na tomada de alimentação está ligada à terra de forma fiável. Caso contrário, o aparelho não deve ser instalado e utilizado.
- Não utilize cabos de extensão.
- A instalação e utilização incorretas deste termoacumulador elétrico podem resultar em lesões graves no corpo humano e perdas de propriedade.
- **AVISO:** Este aparelho não deve ser utilizado para abastecimento de água potável. A entrada de água deste aparelho não deve ser ligada à entrada de água obtida a partir de qualquer outro sistema de aquecimento de água.

## Precauções gerais de segurança

- Leia atentamente as instruções e avisos neste manual, pois eles contêm informações importantes sobre instalação, uso e manutenção seguros.
- O fabricante não se responsabiliza por quaisquer danos a pessoas, animais ou danos materiais causados por uso indevido, incorreto ou irrazoável ou pelo não cumprimento das instruções relatadas nesta publicação.
- A instalação e a manutenção devem ser efetuadas por pessoal profissionalmente qualificado, conforme especificado nos parágrafos relativos. Utilize apenas peças sobresselentes originais. O não

cumprimento das instruções acima pode comprometer a segurança do aparelho e isenta o fabricante de qualquer responsabilidade pelas consequências.

- **O aparelho não pode ser utilizado por pessoas com menos de 8 anos de idade, com capacidades físicas, sensoriais ou mentais reduzidas ou sem a experiência e familiaridade necessárias, a menos que estejam sob supervisão ou seguindo instruções sobre a utilização segura do aparelho e os riscos associados a essa utilização.**
- **NÃO** permita que as crianças brinquem com o aparelho. A limpeza e manutenção não podem ser feitas por crianças sem supervisão.
- **NÃO** toque no aparelho quando estiver descalço ou se alguma parte do seu corpo estiver molhada.
- **NÃO** deixe os materiais de embalagem (grampos, sacos plásticos, poliestireno expandido, etc.) ao alcance das crianças – podem causar ferimentos graves.
- Antes de utilizar o dispositivo e após uma manutenção de rotina ou extraordinária, recomendamos encher o depósito do aparelho com água e drená-lo completamente para remover quaisquer impurezas residuais.
- Se o aparelho estiver equipado com um cabo de alimentação, este só pode ser substituído por um centro de assistência autorizado ou por um técnico profissional.
- É obrigatório aparafusar no tubo de entrada de água da unidade uma válvula de segurança de acordo com os regulamentos nacionais. Nos países que adotaram a norma EN 1487, o grupo de segurança deve ser calibrado para uma pressão máxima de 0,7 MPa e incluir, pelo menos, uma torneira, válvula de retenção e controlo, válvula de segurança e corte de carga hidráulica.
- Não tente modificar o dispositivo de segurança contra sobrepresão (válvula ou grupo de segurança), se fornecido com o aparelho. Abra-o de vez em quando para verificar se não está bloqueado e para remover eventuais depósitos de calcário.
- É normal que a água escorra do dispositivo de segurança contra sobrepresão quando o aparelho está a aquecer. Por esta razão, o dreno deve ser ligado e deixado aberto para a atmosfera, com um tubo de drenagem instalado em uma inclinação descendente contínua e em um local livre de gelo.
- Certifique-se de que drena o aparelho e o desliga da rede elétrica quando estiver fora de serviço numa área sujeita a temperaturas abaixo de zero.

- A água aquecida a mais de 50°C pode causar queimaduras graves imediatas se for entregue diretamente nas torneiras. As crianças, as pessoas com deficiência e os idosos estão particularmente em risco. Recomendamos a instalação de uma válvula misturadora termostática na linha de distribuição de água, marcada com um colarinho vermelho.
- Não deixe materiais inflamáveis em contacto com o aparelho ou na sua proximidade.
- Não coloque nada debaixo do esquentador que possa estar danificado por uma fuga.

## Características Técnicas

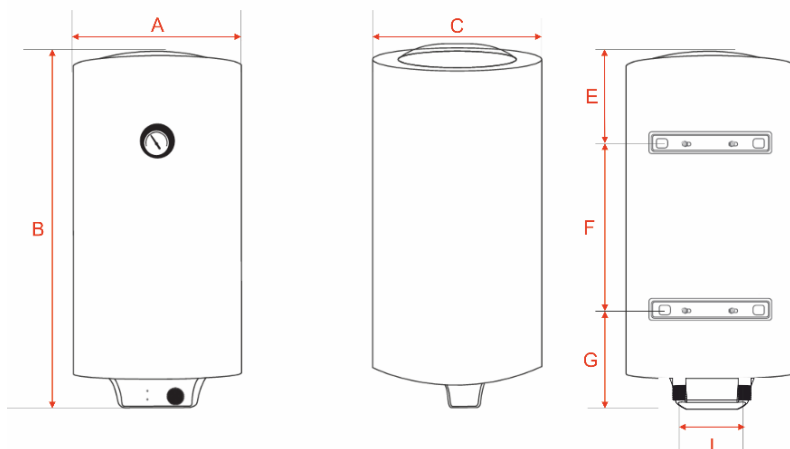
Para as especificações técnicas, consulte a placa de identificação (a placa de identificação está localizada ao lado dos tubos de entrada/saída de água).

| Modelo   | Uni  | TA-30D.001A | TA-50D.002A |
|--|------|-------------|-------------|
| Capacidade do tanque de água                                   | L    | 30          | 50          |
| Potência nominal   | W    | 2000        | 2000        |
| Tensão nominal   | ACV  | 220 – 240   | 220 – 240   |
| Pressão nominal da água  | MPa  | 0.75        | 0.75        |
| Temperatura máxima da água                                     | (°C) | 75          | 75          |
| Grau de impermeabilidade IP                                    | -    | IPX4        | IPX4        |
| Classe de proteção   | -    | I           | I           |
| Instalação   | -    | Vertical    | Vertical    |
| Consumo diário de eletricidade – (Qelec)                       | kWh  | 2.353       | 5.886       |
| Perfil de carga do tamanho                                     | -    | S           | M           |
| Eficiência energética do aquecimento de água - ( $\eta_{wh}$ ) | %    | 36.6        | 39.8        |
| Classe de eficiência energética do aquecimento de água         | -    | B           | B           |
| Nível de potência sonora (interior) – (Lwa)                    | dB   | 15          | 15          |
| Água misturada a 40°C - (V40)                                  | L    | -           | 76          |
| Consumo Anual de Eletricidade – (AEC)                          | kWh  | 504         | 1291        |

Os dados de consumo de energia e outras informações fornecidas no quadro acima baseiam-se nos Regulamentos (UE) n.º 812/2013 e n.º 814/2013.

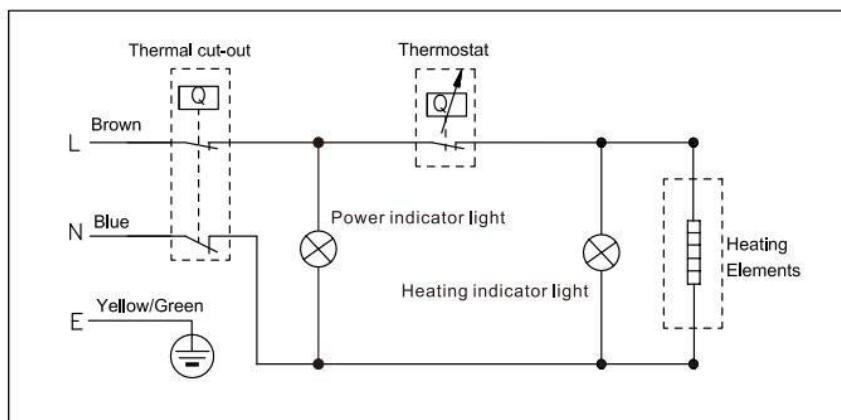


## Dimensões do produto para instalação (modo vertical)

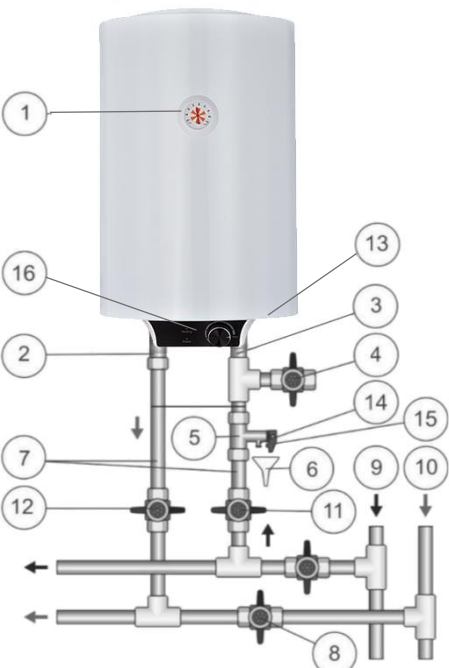
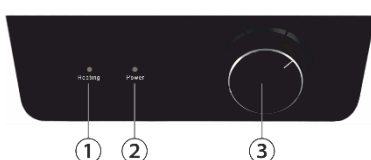


|            | TA-30D.001A | TA-50D.002A |
|------------|-------------|-------------|
| Capacidade | 30 L        | 50 L        |
| A (mm)     | 340         | 340         |
| B (mm)     | 555         | 810         |
| C (mm)     | 340         | 340         |
| D (mm)     | 205         | 205         |
| E (mm)     | 150         | 155         |
| F (mm)     | 180         | 450         |
| G (mm)     | 225         | 205         |
| I (mm)     | 100         | 100         |
| Peso       | 11.6 kg     | 16.4 kg     |

## Diagrama de fiação



## Breve introdução da estrutura do produto

|  |   |
|--|---|
|  <p>Diagrama de um aquecedor de água com 16 pontos de identificação numerados:</p> <ul style="list-style-type: none"><li>1 - Tanque do esquentador</li><li>2 - Tubo de água quente</li><li>3 - Cano de água fria</li><li>4 - Válvula de drenagem</li><li>5 - Válvula de segurança</li><li>6 - Escorra para o esgoto</li><li>7 - Entrada</li><li>8 - Válvula de corte principal</li><li>9 - Linha de Água Fria</li><li>10 - Linha de água quente</li><li>11 - Válvula de corte de água fria</li><li>12 - Válvula de corte de água quente</li><li>13 - Capa protetora</li><li>14 - Tubo de saída da válvula de segurança</li><li>15 - Punho de abertura da válvula de segurança</li><li>16 - Painel de Controlo</li></ul> | <p>1 – Tanque do esquentador<br/>2 – Tubo de água quente<br/>3 – Cano de água fria<br/>4 – Válvula de drenagem<br/>5 – Válvula de segurança<br/>6 – Escorra para o esgoto<br/>7 – Entrada<br/>8 – Válvula de corte principal<br/>9 – Linha de Água Fria<br/>10 – Linha de água quente<br/>11 - Válvula de corte de água fria<br/>12 – Válvula de corte de água quente<br/>13 – Capa protetora<br/>14 – Tubo de saída da válvula de segurança<br/>15 – Punho de abertura da válvula de segurança<br/>16 – Painel de Controlo</p> |
|  <p>Painel de controlo do aquecedor com 3 pontos de identificação numerados:</p> <ul style="list-style-type: none"><li>1 - Indicador "Aquecimento"</li><li>2 - Indicador "Energia"</li><li>3 - Controlador de temperatura</li></ul>   | <p>1 – Indicador "Aquecimento"<br/>2 – Indicador "Energia"<br/>3 – Controlador de temperatura</p>   |

## Características de desempenho

- Controlo totalmente automático: adição automática de água fria, aquecimento automático.
- Proteção de segurança quádrupla: vários dispositivos de proteção de segurança, como proteção contra aquecimento a seco, proteção contra

temperatura extra, proteção contra fugas elétricas, proteção contra alta pressão hidráulica, proteção antiferrugem, etc., seguro e confiável.

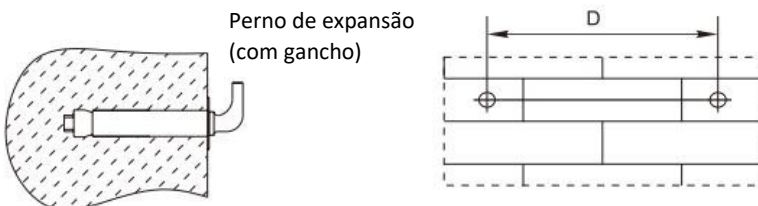
- Recipiente interior esmaltado: fabricado utilizando técnicas avançadas de esmaltação. É antiferrugem, à prova de corrosão, resistente à incrustação, à prova de fugas, com maior vida útil.
- Elemento de aquecimento concebido com baixa carga térmica: seguro e fiável, para uma vida útil mais longa.
- Espessamento da espuma integral de uretano: bom efeito de isolamento térmico, eficiência energética e poupança de energia.
- Controlador de temperatura: Controle preciso e fiável da temperatura.
- Faixa ajustável de temperatura da água de 30 a 75°C.
- Simples e fácil de usar.

## Métodos de instalação

**Nota:** Para instalar este termoacumulador, certifique-se de que utiliza os acessórios fornecidos juntamente com o produto. O termoacumulador não pode ser pendurado no suporte até que este tenha sido confirmado como firme e fiável. Caso contrário, pode cair, resultando em danos ou mesmo em acidentes graves. Ao determinar a localização dos orifícios dos parafusos, deve assegurar-se que existe uma folga não inferior a 0,2 m no lado direito do aquecedor. Isto pode ser necessário durante a manutenção do aquecedor.

## Instruções de instalação

1. Este termoacumulador deve ser instalado numa parede sólida. Se a resistência da parede não puder suportar a carga igual a duas vezes o peso total do termoacumulador cheio de água, é necessário instalar um suporte especial.
2. Depois de selecionar um local adequado, determine as posições dos dois orifícios de instalação utilizados para os parafusos de expansão com gancho. De acordo com o tamanho D do desenho, faça dois orifícios na parede com a profundidade e o tamanho correspondentes aos parafusos de expansão, insira o parafuso, rode o gancho para cima, aperte as porcas para fixar firmemente e, em seguida, pendure o aquecedor de água nele.



3. Instale a tomada de alimentação na parede. A tomada de alimentação deve ser de 3 pinos, monofásica, 230V/16A. Recomenda-se colocar a tomada à direita acima do aquecedor. A altura da tomada em relação ao solo não deve ser inferior a 1,8 m.
4. Se a casa de banho for demasiado pequena, o aquecedor pode ser instalado em outro lugar. No entanto, a fim de reduzir as perdas de calor na conduta, a posição de instalação do aquecedor deve ser o mais próxima possível da casa de banho.

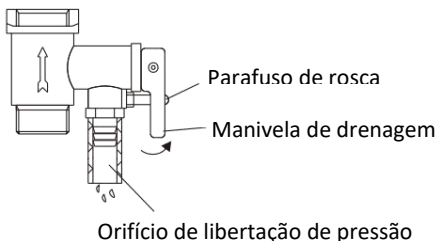
## Ligação da tubagem

1. A dimensão de cada parte do tubo é G1/2".
2. Ligação da válvula de segurança unidirecional: instale a válvula de segurança unidirecional acoplada ao aparelho na entrada de água principal. (Tenha atenção para manter os tubos flexíveis de drenagem instalados na válvula de segurança inclinados para baixo e ligados à atmosfera.)
3. Para evitar fugas ao ligar as tubagens, as juntas de vedação de borracha fornecidas com o aquecedor devem ser adicionadas na extremidade das roscas. Assegura juntas à prova de fugas.

## Cuidados especiais

- A parede na qual o termoacumulador elétrico é instalado deverá ser capaz de suportar mais de duas vezes o peso do termoacumulador completamente cheio de água sem distorções e fissuras. Caso contrário, deverão ser adotadas outras medidas de reforço.
- A tomada de alimentação deve ser ligada à terra de forma fiável. A corrente nominal da tomada não deve ser inferior a 16A.
- A altura de instalação da tomada não deve ser inferior a 1,8 m. A tomada e a ficha devem ser mantidas secas para evitar fugas elétricas. Inspeccione frequentemente se as fichas entram em contacto com a tomada.
- Ao utilizar o termoacumulador pela primeira vez (ou pela primeira vez após manutenção), este não pode ser ligado até estar completamente cheio de água. Ao encher de água, pelo menos uma das válvulas de saída na saída no termoacumulador pode ser aberta para permitir a saída de ar. Esta válvula pode ser fechada após o termoacumulador estar completamente cheio de água.
- A válvula de descompressão que acompanha o aquecedor deve ser instalada na entrada de água fria deste aquecedor e certifique-se de que não fica exposta ao vapor.
- A água pode sair da válvula de descompressão, pelo que o tubo de saída deve estar bem aberto ao ar.

- A fim de drenar a água dentro do recipiente interno, ela pode ser drenada para longe da válvula de liberação de pressão. Torça o parafuso de rosca da válvula de liberação de pressão e levante a alça de drenagem para cima.



- O tubo de drenagem ligado ao orifício de descompressão deve ser mantido inclinado para baixo e num ambiente isento de gelo. A água pode escorrer do tubo de descarga do dispositivo de descompressão e este deve ser deixado aberto para a atmosfera.
- A válvula de alívio de pressão precisa ser verificada e limpa regularmente, de modo a certificar-se de que não bloqueia.
- Dado que a temperatura da água no interior do aquecedor pode atingir os 75°C, a água quente não deve ser exposta ao corpo humano na sua utilização inicial. Ajuste a temperatura da água para uma temperatura adequada de modo a evitar queimaduras.
- Se o cabo flexível da fonte de alimentação estiver danificado, o cabo de alimentação especial fornecido pelo fabricante deve ser selecionado e substituído pelo pessoal de manutenção profissional
- Se alguma peça e componente deste esquentador elétrico estiver danificado, entre em contato com a Assistência técnica.

## Métodos de utilização

- Primeiro, abra qualquer uma das válvulas de saída na saída do aquecedor de água e, em seguida, abra a válvula de entrada. O termoacumulador enche-se de água. Quando a água flui para fora do tubo de saída, al significa que o termoacumulador foi totalmente preenchido com água, e a válvula de saída pode ser fechada.

**Nota:** Durante o funcionamento normal, a válvula de admissão deve ser sempre mantida “aberta”.

- Insira a ficha de alimentação na tomada, a luz indicadora de aquecimento acender-se-á neste momento.
- O termostato controlará automaticamente a temperatura. Quando a temperatura da água dentro do aquecedor atingir a temperatura definida, este desligar-se-á automaticamente. Quando a temperatura da água cair abaixo do

ponto de ajuste, o termoacumulador ligar-se-á automaticamente para reiniciar o aquecimento.

## Manutenção

1. Verifique a ficha e a tomada da fonte de alimentação com frequência para se certificar de que têm um contacto bom e fiável e estão bem aterradas sem fenómenos de sobreaquecimento.
2. Se o termoacumulador não for utilizado durante bastante tempo, especialmente em regiões com baixas temperaturas atmosféricas (inferiores a 0°C), deverá drenar a água dentro do termoacumulador. Tal evitará danos ao termoacumulador devido ao congelamento de água no recipiente interno. (Consulte o método de drenagem da água do recipiente interno no capítulo Cuidados Especiais neste manual).
3. De modo a assegurar-se de que o termoacumulador funciona eficientemente durante muito tempo, recomenda-se que limpe periodicamente o recipiente interno e os depósitos nos componentes de aquecimento elétrico.
4. Recomenda-se que examine os materiais de proteção de ânodos de magnético de seis em seis meses, aproximadamente. Se todos os materiais tiverem sido consumidos, substitua com material novo.

## Solução de problemas

| Falhas  | Razões  | Resolução   |
|---|---|---|
| A luz indicadora de aquecimento está apagada. | Falhas do controlador de temperatura.   | Contacte os serviços de Assistência para obter ajuda com a reparação.   |
| Não sai água da saída de água quente.         | 1. O fornecimento de água corrente está cortado.<br>2. A pressão hidráulica é muito baixa.<br>3. A válvula de entrada de água corrente não está aberta. | 1. Aguarde o restabelecimento do abastecimento de água corrente.<br>2. Utilize o aquecedor novamente quando a pressão hidráulica tiver aumentada.<br>3. Abra a válvula de entrada de água corrente. |
| A temperatura da água é muito alta.           | Falhas do sistema de controle de temperatura.   | Contacte os serviços de Assistência para obter ajuda com a reparação.   |
| Fuga de água                                  | Problema de vedação da junta de cada tubo.  | Efetua a vedação das juntas.  |

## Conformidade CE

Este aparelho foi testado e produzido de acordo com todas as atuais diretivas relevantes da UE, tais como:



- Diretiva de Compatibilidade eletromagnética 2014/30/EU,
- Diretiva de Baixa tensão LVD 2014/35/EU,
- Diretiva RoHS e respetiva emenda EU 2015/863
- ErP Diretiva 2009/125/CE relativa aos produtos relacionados com a energia

e foi fabricado de acordo com as mais recentes normas de segurança.

A marcação CE atesta este produto com todas as diretivas relevantes.

## Eliminação – Política ambiental

### Embalagem



A embalagem é constituída por material inteiramente reciclável e está marcada com o símbolo de reciclagem. Para a eliminação, respeite as normas locais. Os materiais de embalagem (sacos de plástico, pedaços de poliestireno, etc.) devem ser mantidos fora do alcance das crianças dado que constituem potenciais fontes de perigo.

### Eliminação

**Este aparelho está classificado de acordo com a Diretiva Europeia 2012/19/EU sobre Resíduos de equipamento elétrico e eletrónico (CEE).**

Ao garantir a eliminação adequada deste produto, estará a ajudar a evitar potenciais consequências negativas para o ambiente e para a saúde pública, que poderiam derivar de um manuseamento de desperdícios inadequado deste produto.



Este símbolo no produto, ou nos documentos que acompanham o produto, indica que este aparelho não pode ser tratado como lixo doméstico. Pelo contrário, deve ser entregue no ponto de recolha para a reciclagem de equipamento elétrico e eletrónico.

A eliminação deve ser efetuada de acordo com as normas ambientais locais para a deposição de resíduos. Para obter informações mais detalhadas sobre o tratamento, a recuperação e reciclagem deste produto, entre em contacto com o departamento local, o serviço de recolha de lixo ou a loja onde adquiriu o produto.

# Garantia

## Termos e Condições de garantia

1. O produto é garantido pelo período estipulado pela legislação onde é colocado no mercado, iniciando-se a partir da data de compra, contra defeitos de fabrico e/ou mão-de-obra. A falta de conformidade que se manifeste nesse prazo, presume-se existente à data da compra. Decorrido este prazo cabe ao cliente provar que a falta de conformidade já existia à data da entrega.
2. Se, durante o período de garantia, o produto apresentar qualquer defeito, em situação de utilização normal, o comprador deverá entrar em contacto com o estabelecimento vendedor e remeter o aparelho para o local por este indicado.
3. A garantia só é válida mediante a apresentação da fatura comprovativa da compra e do certificado de garantia preenchido (indicando a data de aquisição, o nome do revendedor, a referência do modelo, sendo ainda recomendada a indicação do número de série e número do lote).
4. O importador/vendedor reserva-se o direito de recusar assistência em garantia no caso de as referidas informações terem sido apagadas ou alteradas após a compra original do produto.
5. A responsabilidade do importador/vendedor inclui nomeadamente os custos da reparação e/ou substituição da unidade coberta pela garantia com a reserva do direito de substituir por um produto equivalente, nos casos em que não seja possível a sua reparação.
6. A garantia não é aplicável a problemas que não estejam diretamente relacionados com defeitos de material, conceção ou mão-de-obra.
7. Este produto é um eletrodoméstico e destina-se apenas a uso doméstico. A garantia perderá validade se o produto for usado para fins profissionais.
8. A garantia não cobre danos causados por uso incorreto, instalação incorreta, derramamento, fatores externos ou danos intencionais.
9. A garantia não cobre danos resultantes de quedas, uso de força excessiva, golpes, exposição a condições ambientais extremas ou deterioração causada pelo uso normal de peças plásticas ou teclados, bem como pelo uso de baterias diferentes das especificadas neste manual.
10. A garantia não cobre a instalação e programação por parte do revendedor. Em particular, não poderão ser aceites reclamação para instalação e programação gratuita por parte do revendedor.
11. A garantia não cobre deficiências que prejudicam de forma insignificante o funcionamento do aparelho. Outros custos, tais como a instalação, transporte e/ou deslocação de técnicos estão expressamente excluídos da garantia.
12. A aplicabilidade da garantia pressupõe que o aparelho seja enviado ao estabelecimento vendedor ou para o local por este indicado, completo e em embalagem bem protegida (se possível na sua embalagem original) e acompanhado da respetiva folha ou cartão de garantia, devidamente preenchida e da prova de compra.
13. Se após a verificação, se concluir que não existem motivos para a reclamação, ou que o produto não apresenta defeitos, os custos inerentes serão imputados ao cliente, estando o revendedor autorizado a cobrar esses custos ao cliente.
14. A garantia perderá validade, quando apresente sinais de que alguma pessoa não autorizada tenha tentado efetuar reparações, modificações ou substituições de peças no aparelho.
15. As reparações realizadas após o final do período de garantia estão sujeitas a custos
16. Esta garantia não afeta os seus direitos legais que possa ter como consumidor ao abrigo da legislação nacional aplicável que rege a compra de produtos onde o produto é vendido.

## 17. Período de Garantia:

**Países da União Europeia** - aplicam-se as Diretivas Europeias (EU) 2019/771 e (EU) 2019/770 relativa a certos aspetos dos contratos de compra e venda de bens móveis e transpostas para as legislações nacionais dos respetivos países.

**Outros países** - aplica-se a legislação nacional sobre os direitos do consumidor do respetivo país. Não existindo legislação oficial, a garantia será aplicada segundo o critério do importador que coloca o produto no mercado ou do estabelecimento vendedor.



# Español

## Estimado cliente

Gracias por elegir un producto HÆGER.

Los productos HÆGER están diseñados para el bienestar de los consumidores, haciendo hincapié en los más altos estándares de calidad, funcionalidad y diseño. Estamos seguros de su satisfacción con la compra de este producto.

Suponemos que el usuario tiene conocimientos generales sobre el manejo de los aparatos eléctricos.

Lea con atención y, en su totalidad, las instrucciones de uso y seguridad y familiarícese con las funciones del aparato antes de la primera puesta en marcha. Conserve las instrucciones y entréguelas con el aparato si lo transfiriera a terceros.

## Asesoramiento especial

- Antes de instalar este calentador de agua, verifique y confirme que la conexión a tierra en la toma de alimentación esté conectada a tierra de manera confiable. De lo contrario, el calentador de agua eléctrico no debe instalarse ni utilizarse.
- No utilice placas de extensión.
- La instalación y el uso incorrectos de este calentador de agua eléctrico pueden provocar lesiones graves al cuerpo humano y pérdidas de propiedad.
- **ADVERTENCIA:** Este aparato no debe utilizarse para el suministro de agua potable. La entrada de agua de este aparato no debe conectarse al agua de entrada obtenida de cualquier otro sistema de calentamiento de agua.

## Precauciones generales de seguridad

- Lea atentamente las instrucciones y advertencias de este manual, ya que contienen información importante sobre la instalación, el uso y el mantenimiento seguros.
- El fabricante no será responsable de ninguna lesión a personas, animales o daños a la propiedad causados por un uso inadecuado, incorrecto o irrazonable o por no seguir las instrucciones informadas en esta publicación.
- La instalación y el mantenimiento deben ser realizados por personal profesionalmente calificado como se especifica en los párrafos

correspondientes. Utilice únicamente piezas de repuesto originales. El incumplimiento de las instrucciones anteriores puede comprometer la seguridad del aparato y exime al fabricante de cualquier responsabilidad por las consecuencias.

- **El aparato no puede ser utilizado por personas menores de 8 años, con capacidad física, sensorial o mental reducida, o que carezcan de la experiencia y familiaridad requeridas, a menos que estén bajo supervisión o siguiendo instrucciones sobre el uso seguro del aparato y los peligros que conlleva dicho uso.**
- **NO** permita que los niños jueguen con el aparato. La limpieza y el mantenimiento del usuario no pueden ser realizados por niños sin supervisión.
- **NO** toque el aparato cuando esté descalzo o si alguna parte de su cuerpo está mojada.
- **NO** deje los materiales de embalaje (grapas, bolsas de plástico, poliestireno expandido, etc.) al alcance de los niños, ya que pueden causar lesiones graves.
- Antes de utilizar el dispositivo y después de un mantenimiento rutinario o extraordinario, recomendamos llenar el depósito del aparato con agua y vaciarlo completamente para eliminar las impurezas residuales.
- Si el aparato está equipado con un cable de alimentación, este solo puede ser reemplazado por un centro de servicio autorizado o un técnico profesional.
- Es obligatorio enroscar en el tubo de entrada de agua de la unidad una válvula de seguridad de acuerdo con las regulaciones nacionales. En los países que han promulgado la norma EN 1487, el grupo de seguridad debe calibrarse a una presión máxima de 0,7 MPa e incluir al menos un grifo, una válvula de retención y un control, una válvula de seguridad y un corte de carga hidráulica.
- No manipule el dispositivo de seguridad de sobrepresión (válvula o grupo de seguridad), si se suministra junto con el aparato; Póngalo de vez en cuando para asegurarse de que no esté atascado y para eliminar cualquier depósito de incrustaciones.
- Es normal que gotee agua del dispositivo de seguridad contra sobrepresión cuando el aparato se está calentando. Por este motivo, el desagüe debe estar conectado, siempre abierto a la atmósfera, con una tubería de desagüe instalada en pendiente descendente continua y en un lugar libre de hielo.

- Asegúrese de drenar el aparato y desconectarlo de la red eléctrica cuando esté fuera de servicio en un área sujeta a temperaturas bajo cero.
- El agua calentada a más de 50 °C puede causar quemaduras graves inmediatas si se suministra directamente a los grifos. Los niños, las personas discapacitadas y los ancianos corren un riesgo especial. Recomendamos instalar una válvula mezcladora termostática en la línea de suministro de agua, marcada con un collar rojo.
- No deje materiales inflamables en contacto con el aparato o en sus proximidades.
- No coloque nada debajo del calentador de agua que pueda dañarse por una fuga.

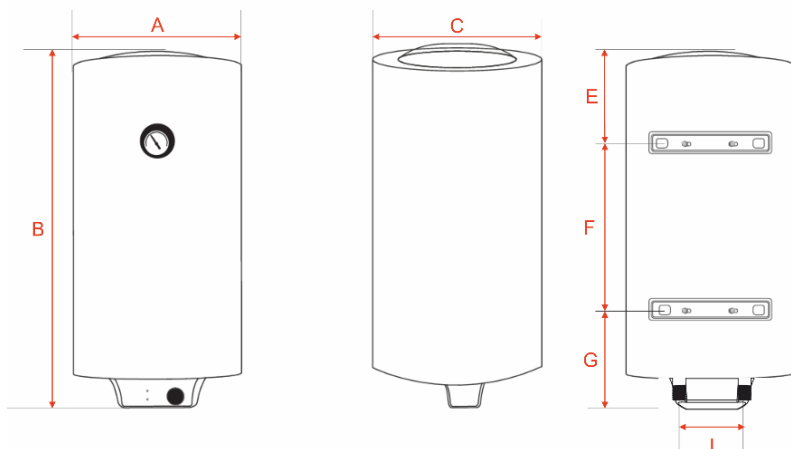
## Características técnicas

Para conocer las especificaciones técnicas, consulte la placa de identificación (la placa de identificación se encuentra junto a las tuberías de entrada/salida de agua).

| Modelo   | Uni  | TA-30D.001A | TA-50D.002A |
|--|------|-------------|-------------|
| Capacidad del tanque de agua                                       | L    | 30          | 50          |
| Potencia nominal   | W    | 2000        | 2000        |
| Voltaje nominal  | ACV  | 220 – 240   | 220 – 240   |
| Presión nominal del agua   | MPa  | 0.75        | 0.75        |
| Temperatura máx. del agua  | (°C) | 75          | 75          |
| Grado de impermeabilidad   | -    | IPX4        | IPX4        |
| Clase de protección  | -    | I           | I           |
| Instalación  | -    | Vertical    | Vertical    |
| Consumo diario de electricidad – (Qelec)                           | kWh  | 2.353       | 5.886       |
| Perfil de carga del tamaño   | -    | S           | M           |
| Eficiencia energética del calentamiento del agua - ( $\eta_{wh}$ ) | %    | 36.6        | 39.8        |
| Clase de eficiencia energética de calentamiento de agua            | -    | B           | B           |
| Nivel de potencia acústica (interior) – (Lwa)                      | dB   | 15          | 15          |
| Agua mezclada a 40°C - (V40)                                       | L    | -           | 76          |
| Consumo anual de energía – (AEC)                                   | kWh  | 504         | 1291        |

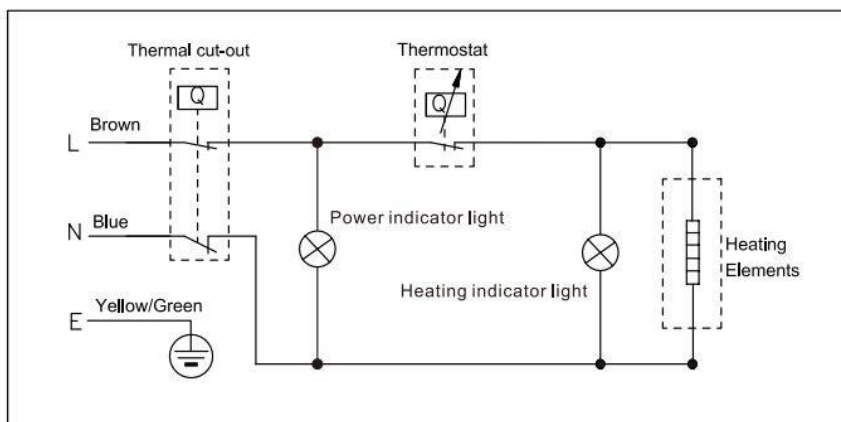
Los datos de consumo de energía y el resto de la información proporcionada en la tabla anterior se basan en los Reglamentos (UE) 812/2013 y 814/2013.

## Dimensiones del producto para la instalación (modo vertical)

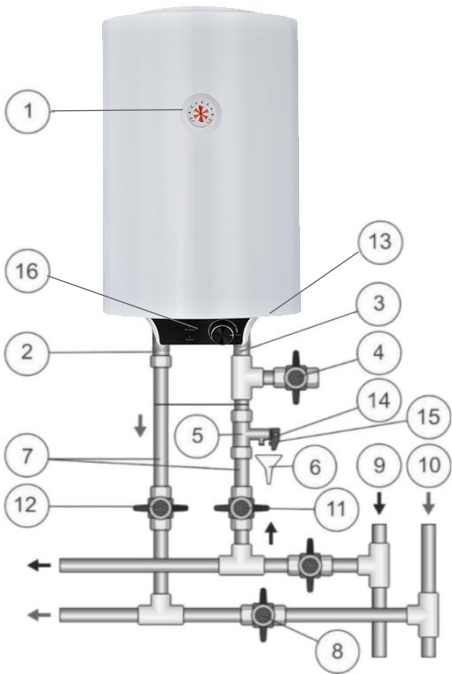
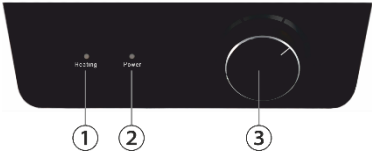


|           | TA-30D.001A | TA-50D.002A |
|-----------|-------------|-------------|
| Capacidad | 30 L        | 50 L        |
| A (mm)    | 340         | 340         |
| B (mm)    | 555         | 810         |
| C (mm)    | 340         | 340         |
| D (mm)    | 205         | 205         |
| E (mm)    | 150         | 155         |
| F (mm)    | 180         | 450         |
| G (mm)    | 225         | 205         |
| I (mm)    | 100         | 100         |
| Peso      | 11.6 kg     | 16.4 kg     |

## Diagrama de cableado



## Breve introducción a la estructura del producto

|   |   |
|---|---|
|  <p>Diagrama de la estructura del calentador de agua eléctrico. El tanque (1) está conectado a tuberías de agua caliente (2) y fría (3). Incluye una válvula de drenaje (4), una válvula de seguridad (5) con tubo de salida (14) y manija (15), y una válvula de corte principal (8). Se muestran también la entrada (7), líneas de agua fría (9) y caliente (10), y válvulas de cierre para agua fría (11) y caliente (12). El panel de control (16) está en la parte superior del tanque.</p> | <ol style="list-style-type: none"><li>1 – Cuerpo del calentador de agua eléctrico</li><li>2 – Tubería de agua caliente</li><li>3 – Tubería de agua fría</li><li>4 – Válvula de drenaje</li><li>5 – Válvula de seguridad</li><li>6 – Desagüe a la alcantarilla</li><li>7 – Entrada</li><li>8 – la válvula de corte principal</li><li>9 – Línea de agua fría</li><li>10 – Línea de agua caliente</li><li>11 - Válvula de cierre de agua fría</li><li>12 – Válvula de cierre de agua caliente</li><li>13 – Cubierta protectora</li><li>14 – Tubo de salida de la válvula de seguridad</li><li>15 – Manija de apertura de la válvula de seguridad</li><li>16 – Panel de control</li></ol> |
|  <p>Detalle del panel de control. Incluye un indicador "Calefacción" (1), un indicador "Encendido" (2) y un controlador de temperatura (3).</p>   | <ol style="list-style-type: none"><li>1 – Indicador "Calefacción"</li><li>2 – Indicador "Encendido"</li><li>3 – Controlador de temperatura</li></ol>  |

## Características de rendimiento

- Control totalmente automático: adición automática de agua fría, calentamiento automático.
- Protección de seguridad cuádruple: múltiples dispositivos de protección de seguridad, como protección contra calefacción en seco, protección contra temperaturas adicionales, protección contra fugas eléctricas, protección contra alta presión hidráulica, protección antioxidante, etc., seguros y fiables.

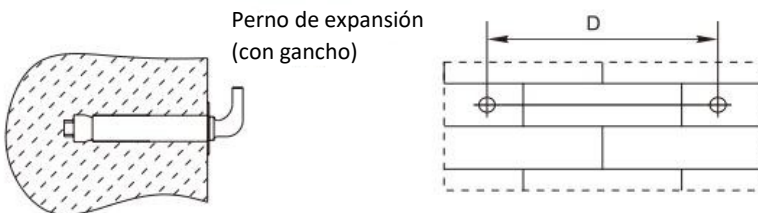
- Recipiente interior esmaltado: fabricado mediante técnica avanzada de esmalado. Es antioxidante, resistente a la corrosión, resistente a las incrustaciones, a prueba de fugas, con una vida útil más larga.
- Elemento calefactor diseñado con baja carga térmica: seguro y fiable, para una vida útil más larga.
- Espuma integral de uretano espesado: buen efecto de aislamiento térmico, eficiencia energética y ahorro de energía.
- Controlador de temperatura: Control preciso y fiable de la temperatura.
- Rango ajustable de temperatura del agua de 30 a 75°C.
- Simple y fácil de usar.

## Métodos de instalación

**Nota:** Asegúrese de utilizar los accesorios provistos junto con el producto para instalar este calentador de agua eléctrico. Este calentador de agua eléctrico no se puede colgar en el soporte hasta que se haya confirmado que es firme y fiable. De lo contrario, el calentador de agua eléctrico puede caerse de la pared, lo que puede provocar daños en el calentador, incluso accidentes graves o lesiones. Al determinar la ubicación de los orificios de los pernos, debe asegurarse de que haya un espacio libre no inferior a 0,2 m en el lado derecho del calentador eléctrico, para facilitar el mantenimiento del calentador, si es necesario.

## Instrucciones de instalación

1. Este calentador de agua eléctrico debe instalarse en la pared sólida. Si la resistencia de la pared no puede soportar la carga igual a dos veces el peso total del calentador lleno completamente de agua, es necesario instalar un soporte especial.
2. Después de seleccionar una ubicación adecuada, determine las posiciones de los dos orificios de instalación utilizados para los pernos de expansión con gancho. De acuerdo con el dibujo, tamaño D, haga dos agujeros en la pared con la profundidad y el tamaño correspondientes a los pernos de expansión, inserte el perno, gire el gancho hacia arriba, apriete las tuercas para fijar firmemente y, a continuación, cuelgue el calentador de agua en él.



3. Instale la toma de corriente en la pared. La toma de alimentación debe ser de 3 pines, monofásica, 230V/16A. Se recomienda colocar el enchufe a la derecha encima del calentador. La altura del zócalo al suelo no debe ser inferior a 1,8 m.
4. Si el baño es demasiado pequeño, el calentador se puede instalar en otro lugar. Sin embargo, para reducir las pérdidas de calor de la tubería, la posición de instalación del calentador debe estar cerrada al lugar para el uso de agua lo más cerca posible.

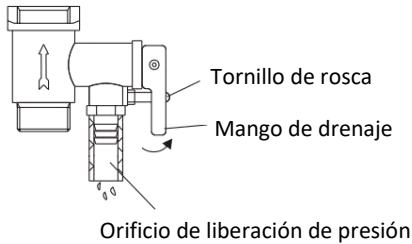
## Conexión de tuberías

1. La dimensión de cada parte de la tubería es G1/2".
2. Conexión de la válvula de seguridad unidireccional: instale la válvula de seguridad unidireccional unida a la máquina en la entrada de agua de la máquina principal. (Preste atención a mantener las tuberías flexibles de drenaje instaladas de la válvula de seguridad inclinadas hacia abajo y conectadas con la atmósfera).
3. Para evitar fugas al conectar las tuberías, las juntas de estanqueidad de goma suministradas con el calentador deben añadirse al final de las roscas. Asegúrese de que las uniones sean estancas.

## Precaución especial

- La pared en la que se instala el calentador de agua eléctrico debe poder soportar la carga más del doble de veces del calentador lleno completamente de agua sin deformaciones ni grietas, de lo contrario, se adoptarán otras medidas de refuerzo.
- La toma de corriente debe estar conectada a tierra de forma fiable. La corriente nominal de la toma de corriente no debe ser inferior a 16 A.
- La altura de instalación del enchufe no debe ser inferior a 1,8 m. La toma de corriente y el enchufe deben mantenerse secos para evitar fugas eléctricas. Inspeccione con frecuencia si los enchufes entran en contacto con el enchufe.
- Para el uso por primera vez (o el primer uso después del mantenimiento o la limpieza), el calentador no se puede encender hasta que se haya llenado completamente de agua. Al llenar el agua, al menos una de las válvulas de salida en la salida del calentador debe abrirse para expulsar el aire. Esta válvula se puede cerrar después de que el calentador se haya llenado completamente con agua.
- La válvula de alivio de presión conectada con el calentador debe instalarse en la entrada de agua fría de este calentador y asegurarse de que no esté expuesta en la niebla.

- El agua puede salir de la válvula de alivio de presión, por lo que la tubería de salida debe abrirse ampliamente en el aire.
- Para drenar el agua dentro del recipiente interior, se puede drenar lejos de la válvula de liberación de presión. Gire el tornillo roscado de la válvula de liberación de presión y levante la manija de drenaje hacia arriba.



- La tubería de drenaje conectada al orificio de liberación de presión debe mantenerse inclinada hacia abajo y en un ambiente libre de heladas. El agua puede gotear de la tubería de descarga del dispositivo de alivio de presión y esta tubería debe dejarse abierta a la atmósfera.
- La válvula de alivio de presión debe revisarse y limpiarse con regularidad para asegurarse de que no se bloquee.
- Dado que la temperatura del agua dentro del calentador puede alcanzar hasta 75 ° C, el agua caliente no debe exponerse al cuerpo humano cuando se usa inicialmente. Ajuste la temperatura del agua a una temperatura adecuada para evitar quemaduras.
- Si el cable de alimentación flexible está dañado, el cable de alimentación especial proporcionado por el fabricante debe ser seleccionado y reemplazado por el personal de mantenimiento profesional
- Si alguna pieza o componente de este calentador de agua eléctrico está dañado, comuníquese con el servicio posventa del cliente para su reparación.

## Métodos de uso

- Primero, abra cualquiera de las válvulas de salida en la salida del calentador de agua, luego, abra la válvula de entrada. El calentador de agua se llena de agua. Cuando el agua sale de la tubería de salida, implica que el calentador se ha llenado completamente de agua y la válvula de salida se puede cerrar.  
**Nota:** Durante el funcionamiento normal, la válvula de entrada debe colocarse en el estado de "**abierta**".
- Inserte el enchufe de alimentación en el enchufe, la luz indicadora de calefacción estará encendida en este momento.
- El termostato controlará automáticamente la temperatura. Cuando la temperatura del agua dentro del calentador haya alcanzado la temperatura



establecida, se apagará automáticamente, cuando la temperatura del agua caiga por debajo del punto de ajuste, el calentador se encenderá automáticamente para restaurar el calentamiento.

## Mantenimiento

1. Verifique el enchufe y la toma de corriente de la fuente de alimentación con frecuencia para asegurarse de que tengan un contacto bueno y confiable y estén bien conectados a tierra sin fenómenos de sobrecalentamiento.
2. Si el calefactor no se utiliza durante mucho tiempo, especialmente en las regiones con baja temperatura atmosférica (inferior a 0 °C), se drenará el agua del interior del calentador. Esto evitará que se dañe el calentador debido a la congelación del agua en el recipiente interior (consulte las Precauciones especiales en este manual para que los métodos drenen el agua del recipiente interior).
3. Para garantizar que el calentador de agua funcione de manera eficiente durante mucho tiempo, se recomienda limpiar periódicamente el recipiente interior y los depósitos en los componentes de calefacción eléctrica.
4. Se recomienda examinar los materiales de protección del ánodo cada seis meses aproximadamente. Si se ha consumido todo el material, reemplácelo con el nuevo material.

## Solución de problemas

| Fallas   | Razones  | Tratamiento  |
|--|--|--|
| La luz indicadora de calefacción está apagada. | Fallos del controlador de temperatura.   | Contacto con el personal profesional para la reparación.   |
| No sale agua de la salida de agua caliente.    | <ol style="list-style-type: none"> <li>1. El suministro de agua corriente está cortado.</li> <li>2. La presión hidráulica es demasiado baja.</li> <li>3. La válvula de entrada de agua corriente no está abierta.</li> </ol> | <ol style="list-style-type: none"> <li>1. Espere a que se restablezca el suministro de agua corriente.</li> <li>2. Utilice el calentador de nuevo cuando aumente la presión hidráulica.</li> <li>3. Abra la válvula de entrada de agua corriente.</li> </ol> |
| La temperatura del agua es demasiado alta.     | Fallos del sistema de control de temperatura.  | Contacto con el personal profesional para la reparación.   |
| Fuga de agua                                   | Problema de sellado de la junta de cada tubería.   | Sella las juntas.  |

## Conformidad CE

Este producto ha sido probado y producido de acuerdo con las normativas actuales y pertinentes, tales como:



- Directiva de compatibilidad electromagnética 2014/30/UE,
- Directiva de baja tensión Directiva (LVD) 2014/35/UE,
- Directiva RoHS y su modificación UE 2015/863,
- ErP Directiva 2009/125/CE sobre productos relacionados con la energía

y ha sido construido de acuerdo con las últimas normas de seguridad.

La marca CE certifica este producto con todas las directivas relevantes relacionadas.

## Disposición – La política ambiental

### Embalaje



El material de embalaje es totalmente reciclable, como lo indica el símbolo correspondiente. Para su eliminación, respete las normas locales. No deje el material de embalaje (bolsas de plástico, trozos de poliestireno, etc.) al alcance de los niños; puede ser peligroso.

### Eliminación

**Este aparato lleva el marcado CE en conformidad con la Directiva 2012/19/EU del Parlamento Europeo y del Consejo sobre residuos de aparatos eléctricos y electrónicos (RAEE).**

La correcta eliminación de este producto evita consecuencias negativas para el medioambiente y la salud.



Este símbolo en el producto o en los documentos que acompañan el producto, indica que este aparato no puede ser tratado como residuos domésticos. Es su lugar se debe entregar al punto de recogida para el reciclaje de equipos eléctricos y electrónicos.

Para eliminación debe realizarse de conformidad con las normas medioambientales para eliminación de residuos. Entrégalo a un vertedero autorizado, no lo deje ni siquiera por unos días, ya que es potencialmente peligroso para los niños.

Para obtener información más detallada sobre el tratamiento, recuperación y reciclaje de este producto, póngase en contacto con el ayuntamiento, su servicio de desechos del hogar o la tienda donde adquirió el producto.

## Términos y condiciones de la garantía

1. El producto está garantizado por el período estipulado por la legislación donde se comercializa, a partir de la fecha de compra, contra defectos de fabricación y/o mano de obra. La falta de conformidad que se manifieste dentro de este plazo, presume que existe en la fecha de compra. Después de este período, corresponde al cliente demostrar que la falta de conformidad ya existía en el momento de la entrega.
2. Si, durante el período de garantía, el producto es defectuoso en uso normal, el comprador debe ponerse en contacto con el establecimiento vendedor y enviar el electrodoméstico al lugar indicado por el vendedor.
3. La garantía solo es válida previa presentación de la factura que acredite la compra y el certificado de garantía completado (indicando la fecha de compra, el nombre del distribuidor, la referencia del modelo, y también se recomienda indicar el número de serie y el número de lote).
4. El importador / vendedor se reserva el derecho de rechazar la asistencia de garantía en caso de que dicha información haya sido eliminada o alterada después de la compra original del producto.
5. La responsabilidad del importador/vendedor incluirá, entre otras cosas, los costes de reparación y/o sustitución de la unidad cubierta por la garantía con la reserva del derecho a sustituirla por un producto equivalente, cuando no sea posible repararla.
6. La garantía no se aplica a problemas que no estén directamente relacionados con defectos de material, diseño o mano de obra.
7. Este producto es un electrodoméstico y está destinado solo para uso doméstico. La garantía se anula si el producto se utiliza con fines profesionales.
8. La garantía no cubre los daños causados por mal uso, instalación inadecuada, derrames, factores externos o daños intencionales.
9. La garantía no cubre los daños resultantes de caídas, uso de fuerza excesiva, golpes, exposición a condiciones ambientales extremas o deterioro causado por el uso normal de piezas de plástico o teclados, así como el uso de baterías distintas a las especificadas en este manual.
10. La garantía no cubre la instalación y programación por parte del distribuidor. En particular, no se aceptará ninguna reclamación de instalación y programación gratuita por parte del revendedor.
11. La garantía no cubre deficiencias que perjudiquen insignificadamente el funcionamiento del aparato. Otros costes, como la instalación, el transporte y el desplazamiento del técnico están expresamente excluidos de la garantía.
12. La aplicabilidad de la garantía presupone que el aparato sea enviado al establecimiento vendedor o al lugar indicado por éste, completo y en un embalaje bien protegido (si es posible en su embalaje original) y acompañado de la respectiva hoja o tarjeta de garantía, debidamente cumplimentado y comprobante de compra.
13. Si después de la verificación, se descubre que no hay razones para la reclamación, o que el producto no es defectuoso, los costos inherentes se imputarán al cliente, y el distribuidor está autorizado a cobrar esos costos al cliente.
14. La garantía quedará anulada cuando presente indicios de que una persona no autorizada ha intentado realizar reparaciones, modificaciones o sustitución de piezas en el aparato.
15. Las reparaciones realizadas una vez finalizado el período de garantía incurrir en costes.
16. Esta garantía no afecta a sus derechos legales que pueda tener como consumidor en virtud de la legislación nacional aplicable que rige la compra de productos donde se vende el producto.

### 17. Período de garantía:

**Países de la Unión Europea** - Las Directivas Europeas (UE) 2019/771 y (UE) 2019/770 se aplican a ciertos aspectos de los contratos de compraventa de bienes muebles y se transponen a las legislaciones nacionales de sus países.

**Otros países:** se aplica la legislación nacional sobre los derechos de los consumidores en su país. En caso de que no exista legislación oficial, la garantía se aplicará a discreción del importador que introduzca el producto en el mercado o del establecimiento vendedor.

# Français

## Cher Client

Merci d'avoir choisi un produit HÆGER.

Les produits HÆGER sont conçus pour le bien-être du consommateur, en insistant sur les plus hauts standards de qualité, de fonctionnalité et de design. Nous sommes certains de leur satisfaction à l'achat de ce produit.

Nous supposons que l'utilisateur détient des connaissances générales sur l'emploi des appareils électroménagers.

Avant la première mise en service, lisez attentivement le présent mode d'emploi et les instructions de sécurité et familiarisez-vous avec les fonctions de l'appareil. Conservez le présent mode d'emploi et le cas échéant, transmettez-le à des tiers.

## Conseils particuliers

- Avant d'installer ce chauffe-eau, vérifiez et confirmez que la mise à la terre de la prise d'alimentation est correctement mise à la terre. Sinon, le chauffe-eau électrique ne doit pas être installé et utilisé.
- N'utilisez pas de cartes d'extension.
- Une installation et une utilisation incorrectes de ce chauffe-eau électrique peuvent entraîner des blessures graves au corps humain et des pertes de biens.
- **AVERTISSEMENT** : Cet appareil ne doit pas être utilisé pour une alimentation en eau potable. L'entrée d'eau de cet appareil ne doit pas être connectée à l'eau d'entrée provenant d'un autre système de chauffage de l'eau.

## Précautions générales de sécurité

- Lisez attentivement les instructions et les avertissements de ce manuel, ils contiennent des informations importantes concernant l'installation, l'utilisation et l'entretien en toute sécurité.
- Le fabricant n'est pas responsable des blessures aux personnes, aux animaux ou aux dommages matériels causés par une utilisation inappropriée, incorrecte ou déraisonnable ou par le non-respect des instructions rapportées dans cette publication.
- L'installation et l'entretien doivent être effectués par du personnel professionnellement qualifié, comme spécifié dans les paragraphes

correspondants. N'utilisez que des pièces de rechange d'origine. Le non-respect des instructions ci-dessus peut compromettre la sécurité de l'appareil et dégage le fabricant de toute responsabilité pour les conséquences.

- **L'appareil ne doit pas être utilisé par des personnes de moins de 8 ans, ayant des capacités physiques, sensorielles ou mentales réduites, ou manquant de l'expérience et de la familiarité requises, sauf sous surveillance ou en suivant des instructions sur l'utilisation en toute sécurité de l'appareil et les risques liés à une telle utilisation.**
- **NE PAS** permettre aux enfants de jouer avec l'appareil. Le nettoyage et l'entretien par l'utilisateur ne doivent pas être effectués par des enfants sans surveillance.
- **NE PAS** toucher l'appareil pieds nus ou si une partie de votre corps est mouillée.
- **NE PAS** laisser les matériaux d'emballage (agrafes, sacs en plastique, polystyrène expansé, etc.) à la portée des enfants – ils peuvent causer des blessures graves.
- Avant d'utiliser l'appareil et après un entretien de routine ou extraordinaire, nous vous recommandons de remplir le réservoir de l'appareil avec de l'eau et de le vider complètement pour éliminer les impuretés résiduelles.
- Si l'appareil est équipé d'un cordon d'alimentation, celui-ci ne peut être remplacé que par un centre de service agréé ou un technicien professionnel.
- Il est obligatoire de visser sur le tuyau d'arrivée d'eau de l'unité une soupape de sécurité conformément aux réglementations nationales. Dans les pays qui ont adopté la norme EN 1487, le groupe de sécurité doit être étalonné à une pression maximale de 0,7 MPa et comprendre au moins un robinet, un clapet anti-retour et une soupape de contrôle, une soupape de sécurité et un coupe-circuit de charge hydraulique.
- Ne modifiez pas le dispositif de sécurité contre la surpression (vanne ou groupe de sécurité), s'il est fourni avec l'appareil ; Déclenchez-le de temps en temps pour vous assurer qu'il n'est pas coincé et pour éliminer tout dépôt de tartre.
- Il est normal que de l'eau s'écoule du dispositif de sécurité contre la surpression lorsque l'appareil chauffe. Pour cette raison, le drain doit être raccordé, toujours laissé ouvert à l'atmosphère, avec un tuyau de drainage installé dans une pente descendante continue et dans un endroit exempt de glace.

- Assurez-vous de vider l'appareil et de le débrancher du réseau électrique lorsqu'il est hors service dans une zone soumise à des températures inférieures à zéro.
- L'eau chauffée à plus de 50°C peut provoquer des brûlures graves immédiates si elle est livrée directement aux robinets. Les enfants, les personnes handicapées et les personnes âgées sont particulièrement exposés. Nous vous recommandons d'installer un mitigeur thermostatique sur la conduite de distribution d'eau, marqué d'un collier rouge.
- Ne laissez pas de matériaux inflammables en contact ou à proximité de l'appareil.
- Ne placez rien sous le chauffe-eau qui pourrait être endommagé par une fuite.

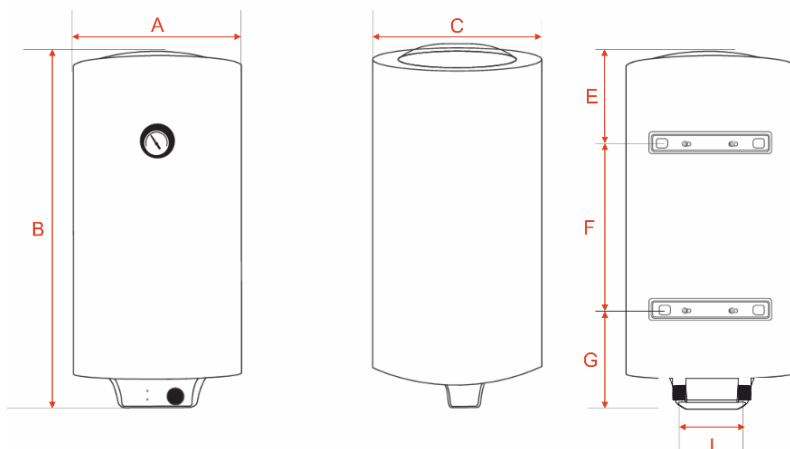
## Caractéristiques techniques

Pour les spécifications techniques, reportez-vous à la plaque signalétique (la plaque signalétique est située à côté des tuyaux d'entrée/sortie d'eau).

| Modèle   | Uni  | TA-30D.001A | TA-50D.002A |
|--|------|-------------|-------------|
| Capacité du réservoir d'eau                                    | L    | 30          | 50          |
| Puissance nominale   | W    | 2000        | 2000        |
| Tension nominale   | ACV  | 220 – 240   | 220 – 240   |
| Pression nominale de l'eau                                     | MPa  | 0.75        | 0.75        |
| Température max. de l'eau                                      | (°C) | 75          | 75          |
| Grade imperméable  | -    | IPX4        | IPX4        |
| Classe de protection   | -    | I           | I           |
| Installation   | -    | Vertical    | Vertical    |
| Consommation quotidienne d'électricité – (Qelec)               | kWh  | 2.353       | 5.886       |
| Profil de charge de la taille                                  | -    | S           | M           |
| Efficacité énergétique du chauffage de l'eau - ( $\eta_{wh}$ ) | %    | 36.6        | 39.8        |
| Classe d'efficacité énergétique du chauffage de l'eau          | -    | B           | B           |
| Niveau de puissance acoustique (intérieur) – (Lwa)             | dB   | 15          | 15          |
| Eau de mélange à 40°C - (V40)                                  | L    | -           | 76          |
| Consommation annuelle d'énergie – (AEC)                        | kWh  | 504         | 1291        |

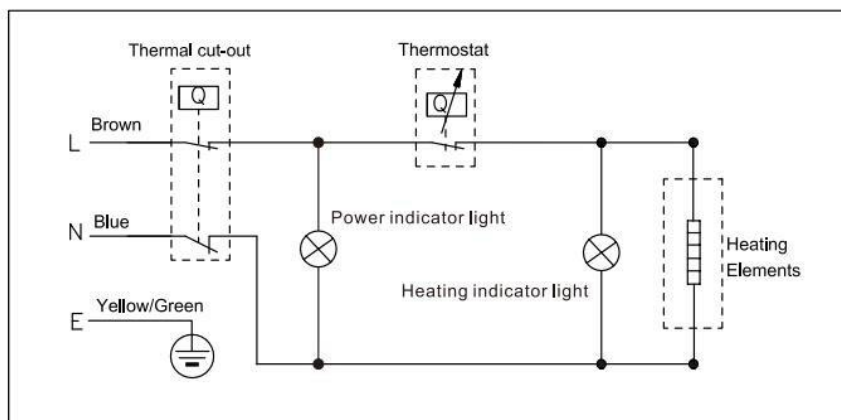
Les données de consommation d'énergie et les autres informations fournies dans le tableau ci-dessus sont basées sur les règlements (UE) 812/2013 et 814/2013.

## Dimensions du produit pour l'installation (mode vertical)

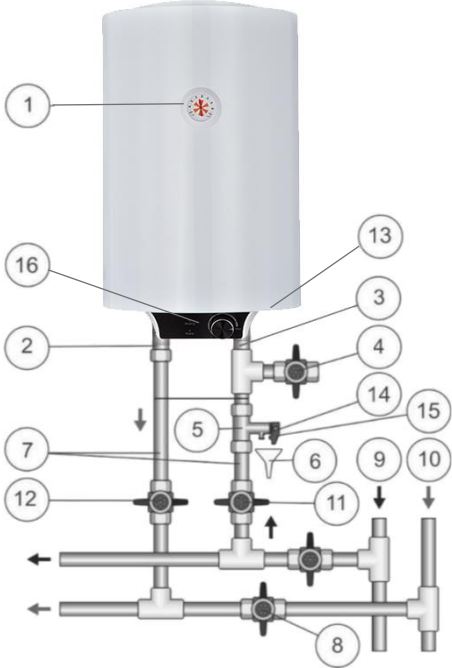
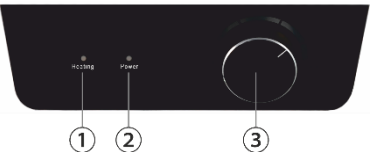


|          | TA-30D.001A | TA-50D.002A |
|----------|-------------|-------------|
| Capacité | 30 L        | 50 L        |
| A (mm)   | 340         | 340         |
| B (mm)   | 555         | 810         |
| C (mm)   | 340         | 340         |
| D (mm)   | 205         | 205         |
| E (mm)   | 150         | 155         |
| F (mm)   | 180         | 450         |
| G (mm)   | 225         | 205         |
| I (mm)   | 100         | 100         |
| Poids    | 11.6 kg     | 16.4 kg     |

## Schéma de câblage



## Brève introduction de la structure du produit

|  |   |
|--|---|
|   | <p>1 – Corps de chauffe-eau électrique<br/>2 – Tuyau d'eau chaude<br/>3 – Conduite d'eau froide<br/>4 – Vanne de vidange<br/>5 – Soupape de sécurité<br/>6 – Vidange à l'égout<br/>7 – Entrée<br/>8 – Vanne d'arrêt principale<br/>9 – Ligne d'eau froide<br/>10 – Ligne d'eau chaude<br/>11 - Vanne d'arrêt d'eau froide<br/>12 – vanne d'arrêt d'eau chaude<br/>13 – housse de protection<br/>14 – Tuyau de sortie de la soupape de sécurité<br/>15 – Poignée d'ouverture de soupape de sécurité<br/>16 – Panneau de commande</p> |
|  | <p>1 – Indicateur « Chauffage »<br/>2 – Indicateur « Puissance »<br/>3 – Régulateur de température</p>  |

## Caractéristiques de performance

- Contrôle entièrement automatique : ajout automatique d'eau froide, chauffage automatique.
- Protection de sécurité quadruple : plusieurs dispositifs de protection de sécurité, tels que la protection contre le chauffage sec, la protection contre les températures extra-température, la protection contre les fuites



électriques, la protection contre la pression hydraulique élevée, la protection antirouille, etc., sûrs et fiables.

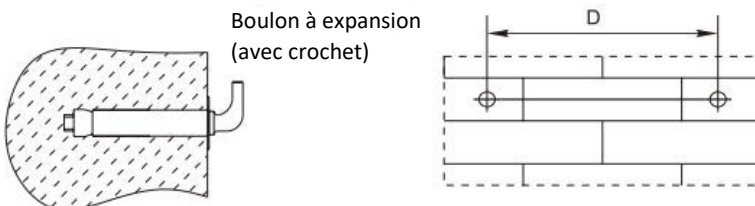
- Récipient intérieur émaillé : fabriqué à l'aide d'une technique d'émaillage avancée. Il est antirouille, résistant à la corrosion, résistant à l'incrustation, étanche, avec une durée de vie plus longue.
- Élément chauffant conçu avec une faible charge thermique : sûr et fiable, pour une durée de vie plus longue.
- Mousse intégrale en uréthane épaissi : bon effet d'isolation thermique, économe en énergie et économie d'électricité.
- Régulateur de température : Contrôle précis et fiable de la température.
- Plage de température de l'eau réglable de 30 à 75°C.
- Simple et facile à utiliser.

## Méthodes d'installation

**Remarque :** Assurez-vous d'utiliser les accessoires fournis avec le produit pour installer ce chauffe-eau électrique. Ce chauffe-eau électrique ne peut pas être accroché au support tant qu'il n'a pas été confirmé qu'il est ferme et fiable. Sinon, le chauffe-eau électrique peut tomber du mur, entraînant des dommages au chauffe-eau, voire des accidents graves ou des blessures. Lors de la détermination de l'emplacement des trous de boulons, il faut s'assurer qu'il y a un dégagement d'au moins 0,2 m sur le côté droit du radiateur électrique, pour faciliter l'entretien du radiateur, si nécessaire.

## Instructions d'installation

1. Ce chauffe-eau électrique doit être installé dans le mur plein. Si la résistance du mur ne peut pas supporter une charge égale à deux fois le poids total du radiateur entièrement rempli d'eau, il est nécessaire d'installer un support spécial.
2. Après avoir choisi un emplacement approprié, déterminer les positions des deux trous d'installation utilisés pour les boulons d'expansion avec crochet. Selon le dessin de la taille D, faites deux trous dans le mur avec la profondeur correspondante et la taille correspondant aux boulons d'expansion, insérez le boulon, tournez le crochet vers le haut, serrez les écrous pour fixer fermement, et puis accrochez le chauffe-eau sur elle.



3. Installez la prise d'alimentation dans le mur. La prise d'alimentation doit être à 3 broches, monophasée, 230V / 16A. Il est recommandé de placer la prise à droite au-dessus du radiateur. La hauteur de la prise au sol ne doit pas être inférieure à 1,8 m.
4. Si la salle de bain est trop petite, le radiateur peut être installé à un autre endroit. Cependant, afin de réduire les pertes de chaleur de la canalisation, la position d'installation du réchauffeur doit être fermée à l'endroit où l'eau est utilisée aussi près que possible.

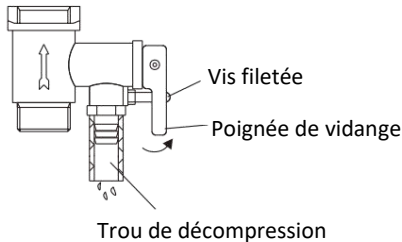
## Raccordement des canalisations

1. La dimension de chaque partie de tuyau est G1/2".
2. Raccordement de la soupape de sécurité unidirectionnelle : installez la soupape de sécurité unidirectionnelle fixée à la machine à l'entrée d'eau de la machine principale. (Faites attention à ce que les tuyaux flexibles de drainage installés de la soupape de sécurité soient inclinés vers le bas et connectés à l'atmosphère.)
3. Afin d'éviter les fuites lors du raccordement des canalisations, les joints d'étanchéité en caoutchouc fournis avec la machine doivent être ajoutés à l'extrémité des filetages.

## Mise en garde spéciale

- Le mur dans lequel le chauffe-eau électrique est installé doit pouvoir supporter la charge plus de deux fois celle du chauffe-eau entièrement rempli d'eau sans distorsion ni fissures, sinon, d'autres mesures de renforcement doivent être adoptées.
- La prise d'alimentation doit être mise à la terre de manière fiable. Le courant nominal de la prise ne doit pas être inférieur à 16A.
- La hauteur d'installation de la prise ne doit pas être inférieure à 1,8 m. La prise et la fiche doivent être maintenues au sec pour éviter les fuites électriques. Vérifiez fréquemment si les fiches sont bien en contact avec la prise.
- Pour la première utilisation (ou la première utilisation après entretien ou nettoyage), le radiateur ne peut pas être allumé tant qu'il n'a pas été complètement rempli d'eau. Lors du remplissage de l'eau, au moins une des vannes de sortie à la sortie du radiateur doit être ouverte pour évacuer l'air. Cette vanne peut être fermée une fois que le chauffage a été complètement rempli d'eau.
- La soupape de surpression fixée avec le radiateur doit être installée à l'entrée d'eau froide de ce radiateur et s'assurer qu'elle n'est pas exposée dans le brouillard.

- L'eau peut être évacuée de la soupape de surpression, de sorte que le tuyau d'évacuation doit s'ouvrir largement dans l'air.
- Afin d'évacuer l'eau à l'intérieur du récipient intérieur, elle peut être évacuée de la soupape de surpression. Tournez la vis filetée de la soupape de décharge de pression et soulevez la poignée de vidange vers le haut.



- Le tuyau de drainage relié au trou de décompression doit être maintenu incliné vers le bas et dans un environnement à l'abri du gel. L'eau peut s'égoutter du tuyau d'évacuation du dispositif de décompression et ce tuyau doit être laissé ouvert à l'atmosphère.
- La soupape de surpression doit être vérifiée et nettoyée régulièrement, afin de s'assurer qu'elle ne sera pas bloquée.
- Comme la température de l'eau à l'intérieur du chauffe-eau peut atteindre 75°C, l'eau chaude ne doit pas être exposée au corps humain lors de sa première utilisation. Ajustez la température de l'eau à une température appropriée pour éviter les brûlures.
- Si le cordon d'alimentation flexible est endommagé, le cordon d'alimentation spécial fourni par le fabricant doit être sélectionné et remplacé par le personnel de maintenance professionnel
- Si des pièces et des composants de ce chauffe-eau électrique sont endommagés, veuillez contacter le service après-vente du client pour réparation.

## Méthodes d'utilisation

- Tout d'abord, ouvrez l'une des vannes de sortie à la sortie du chauffe-eau, puis ouvrez la vanne d'admission. Le chauffe-eau se remplit d'eau. Lorsque l'eau s'écoule du tuyau de sortie, cela implique que le radiateur a été entièrement rempli d'eau et que la vanne de sortie peut être fermée.

**Remarque :** En fonctionnement normal, la vanne d'admission doit être réglée sur l'état « ouvert ».

- Insérez la fiche d'alimentation dans la prise, le voyant de chauffage sera allumé à ce moment-là.

- Le thermostat contrôlera automatiquement la température. Lorsque la température de l'eau à l'intérieur du chauffe-eau a atteint la température réglée, il s'éteint automatiquement, lorsque la température de l'eau tombe en dessous du point de consigne, le chauffe-eau s'allume automatiquement pour rétablir le chauffage.

## Entretien

1. Vérifiez fréquemment la fiche et la prise d'alimentation pour vous assurer qu'elles ont un bon contact fiable et qu'elles sont bien mises à la terre sans phénomène de surchauffe.
2. Si le chauffage n'est pas utilisé pendant une longue période, en particulier dans les régions où la température atmosphérique est basse (inférieure à 0°C), l'eau à l'intérieur du chauffage doit être évacuée. Cela évitera d'endommager l'appareil de chauffage en raison du gel de l'eau dans le récipient intérieur (reportez-vous aux précautions spéciales de ce manuel pour que le méthos évacue l'eau du récipient intérieur).
3. Afin de garantir un fonctionnement efficace du chauffe-eau pendant une longue période, il est recommandé de nettoyer périodiquement le récipient intérieur et les dépôts sur les composants de chauffage électrique.
4. Il est recommandé d'examiner les matériaux de protection des anodes tous les six mois environ. Si tout le matériel a été consommé, veuillez le remplacer par le nouveau matériau.

## Dépannage

| Échecs                                       | Raisons  | Traitement   |
|--|--|--|
| Le voyant de chauffage est éteint.           | Défaillances du régulateur de température.   | Contact avec le personnel professionnel pour la réparation.  |
| Pas d'eau sortant de la sortie d'eau chaude. | <ol style="list-style-type: none"> <li>1. L'alimentation en eau courante est coupée.</li> <li>2. La pression hydraulique est trop faible.</li> <li>3. La vanne d'arrivée de l'eau courante n'est pas ouverte.</li> </ol> | <ol style="list-style-type: none"> <li>1. Attendez le rétablissement de l'approvisionnement en eau courante.</li> <li>2. Utilisez à nouveau le chauffage lorsque la pression hydraulique est augmentée.</li> <li>3. Ouvrez la vanne d'arrivée d'eau courante.</li> </ol> |
| La température de l'eau est trop élevée.     | Défaillances du système de contrôle de la température.   | Contact avec le personnel professionnel pour la réparation.  |
| Fuite d'eau                                  | Problème d'étanchéité du joint de chaque tuyau.  | Scellez les joints.  |

## Conformité CE

Ce produit a été testé et produit selon toutes les directives européennes actuelles applicables, tels que :



- La compatibilité électromagnétique Directive 2014/30/EU,
- Directive Basse Tension Directive (LVD) 2014/35/EU,
- Directive RoHS avec ses modifications EU 2015/863,
- ErP Directive 2009/125/CE relative aux produits liés à l'énergie

et a été construit en conformité avec les dernières normes de sécurité.

Le marquage CE atteste ce produit à toutes les directives relevant.

## Élimination – La politique environnementale

### Emballage



L'emballage est entièrement recyclable et porte le symbole du recyclage.

Pour la mise au rebut, suivez les réglementations locales en vigueur. Les matériaux d'emballage (sachets en plastique, éléments en polystyrène, etc.) doivent être tenus hors de portée des enfants, car ils constituent une source potentielle de danger.

### Mise au rebut

**Cet appareil porte le symbole du recyclage conformément à la Directive Européenne 2012/19/EU concernant les Déchets d'Équipements Électriques et Électroniques (DEEE ou WEEE).**

En procédant correctement à la mise au rebut de cet appareil, vous contribuerez à empêcher toute conséquence nuisible pour l'environnement et la santé de l'homme.



Ce symbole présent sur l'appareil ou sur la documentation qui l'accompagne indique que ce produit ne peut en aucun cas être traité comme déchet ménager. Il doit plutôt être remis au point de collecte approprié pour le recyclage des équipements électriques et électroniques.

L'élimination doit être effectuée conformément aux règlements environnementaux locaux pour l'élimination des déchets. Pour des informations plus détaillées sur le traitement, la récupération et le recyclage de ce produit, s'il vous plaît contacter votre bureau compétent de votre commune, votre service d'élimination des déchets ménagers ou directement à votre revendeur où vous avez acheté le produit.

## Termes et conditions de la garantie

1. Le produit est garanti pour la période stipulée par la législation où il est mis sur le marché, à compter de la date d'achat, contre les défauts de fabrication et/ou de main d'œuvre. Le défaut de conformité manifesté dans ce délai est présumé exister à la date d'achat. Passé ce délai, il appartient au client de prouver que le défaut de conformité existait déjà au moment de la livraison.
2. Si, pendant la période de garantie, le produit est défectueux en utilisation normale, l'acheteur doit contacter l'établissement de vente et envoyer l'appareil à l'endroit indiqué par le vendeur.
3. La garantie n'est valable que sur présentation de la facture prouvant l'achat et du certificat de garantie complété (indiquant la date d'achat, le nom du revendeur, la référence du modèle, et il est également recommandé d'indiquer le numéro de série et le numéro de lot).
4. L'importateur/vendeur se réserve le droit de refuser l'assistance de garantie dans le cas où ces informations ont été supprimées ou modifiées après l'achat initial du produit.
5. La responsabilité de l'importateur/vendeur comprend, entre autres, les frais de réparation et/ou de remplacement de l'unité couverte par la garantie avec la réserve du droit de la remplacer par un produit équivalent, lorsqu'il n'est pas possible de la réparer.
6. La garantie ne s'applique pas aux problèmes qui ne sont pas directement liés à des défauts de matériau, de conception ou de fabrication.
7. Ce produit est un appareil et est destiné à un usage domestique uniquement. La garantie expirera si le produit est utilisé à des fins professionnelles.
8. La garantie ne couvre pas les dommages causés par une mauvaise utilisation, une mauvaise installation, un déversement, des facteurs externes ou des dommages intentionnels.
9. La garantie ne couvre pas les dommages résultant de chutes, de l'utilisation d'une force excessive, des coups, de l'exposition à des conditions environnementales extrêmes ou de la détérioration causée par l'utilisation normale de pièces en plastique ou de claviers, ainsi que l'utilisation de batteries autres que celles spécifiées dans ce manuel.
10. La garantie ne couvre pas l'installation et la programmation par le concessionnaire. En particulier, aucune réclamation pour l'installation et la programmation gratuite par le revendeur ne peut être acceptée.
11. La garantie ne couvre pas les défauts qui nuisent de manière insignifiante au fonctionnement de l'appareil. Les autres frais, tels que l'installation, le transport et le déplacement du technicien sont expressément exclus de la garantie.
12. L'applicabilité de la garantie suppose que l'appareil soit envoyé à l'établissement du vendeur ou à l'endroit indiqué par celui-ci, complet et dans un emballage bien protégé (si possible dans son emballage d'origine) et accompagné de la feuille ou de la carte de garantie respective, dûment rempli et d'une preuve d'achat.
13. Si, après vérification, il s'avère qu'il n'y a aucune raison pour la réclamation, ou que le produit n'est pas défectueux, les coûts inhérents seront imputés au client, et le revendeur est autorisé à facturer ces coûts au client.
14. La garantie sera annulée lorsqu'elle montre des signes qu'une personne non autorisée a tenté d'effectuer des réparations, des modifications ou le remplacement de pièces sur l'appareil.
15. Les réparations effectuées après la fin de la période de garantie sont soumises à des frais.
16. Cette garantie n'affecte pas vos droits légaux que vous pouvez avoir en tant que consommateur en vertu de la législation nationale applicable régissant l'achat de produits lorsque le produit est vendu.
17. **Période de garantie :**
  - Pays de l'Union Européenne** - Les directives européennes (UE) 2019/771 et (UE) 2019/770 s'appliquent à certains aspects des contrats d'achat et de vente de biens meubles et transposées dans les législations nationales de leurs pays.
  - Autres pays** - la législation nationale sur les droits des consommateurs dans leur pays s'applique. En l'absence de législation officielle, la garantie est appliquée à la discrétion de l'importateur qui met le produit sur le marché ou de l'établissement du vendeur.

# Ελληνικά

## Αγαπητέ πελάτη

Σας ευχαριστούμε που επιλέξατε ένα προϊόν HÆGER.

Τα προϊόντα HÆGER έχουν δημιουργηθεί για να σκέφτονται την ευημερία του καταναλωτή που προτιμούν υψηλά πρότυπα ποιότητας, λειτουργικότητας και ανάρθεσης. Είμαστε σίγουροι ότι θα είστε ευχαριστημένοι με αυτήν τη συσκευή.

Υποθέτουμε ότι ο χρήστης είναι εξοικειωμένος με τις συνήθεις διαδικασίες χειρισμού οικιακών συσκευών.

Πριν χρησιμοποιήσετε τη συσκευή για πρώτη φορά, διαβάστε προσεκτικά και διεξοδικά αυτές τις οδηγίες λειτουργίας και τις συμβουλές ασφαλείας, εξοικειώνοντας πλήρως τη συσκευή. Κρατήστε αυτές τις οδηγίες για μελλοντική αναφορά και διαβιβάστε τις σε όποιον μπορεί να χρησιμοποιήσει τη συσκευή σε μελλοντική ημερομηνία.

## Ειδικές συμβουλές

- Πριν εγκαταστήσετε αυτόν τον θερμοσίφωνα, ελέγξτε και επιβεβαιώστε ότι η γείωση στην πρίζα τροφοδοσίας είναι αξιόπιστα γειωμένη. Διαφορετικά, ο ηλεκτρικός θερμοσίφωνα δεν πρέπει να εγκατασταθεί και να χρησιμοποιηθεί.
- Μην χρησιμοποιείτε πλακέτες επέκτασης.
- Η εσφαλμένη εγκατάσταση και χρήση αυτού του ηλεκτρικού θερμοσίφωνα μπορεί να οδηγήσει σε σοβαρούς τραυματισμούς στο ανθρώπινο σώμα και απώλειες περιουσίας.
- **ΠΡΟΕΙΔΟΠΟΙΗΣΗ:** Αυτή η συσκευή δεν πρέπει να χρησιμοποιείται για παροχή πόσιμου νερού. Το στόμιο εισόδου νερού αυτής της συσκευής δεν πρέπει να συνδέεται με το νερό εισόδου που λαμβάνεται από οποιοδήποτε άλλο σύστημα θέρμανσης νερού.

## Γενικές προφυλάξεις ασφαλείας

- Διαβάστε προσεκτικά τις οδηγίες και την προειδοποίηση σε αυτό το εγχειρίδιο, περιέχουν σημαντικές πληροφορίες σχετικά με την ασφαλή εγκατάσταση, χρήση και συντήρηση.
- Ο κατασκευαστής δεν ευθύνεται για τυχόν τραυματισμούς ανθρώπων, ζώων ή υλικές ζημιές που προκαλούνται από ακατάλληλη, εσφαλμένη ή αδικαιολόγητη χρήση ή μη τήρηση των οδηγιών που αναφέρονται στην παρούσα δημοσίευση.
- Η εγκατάσταση και η συντήρηση πρέπει να εκτελούνται από επαγγελματικά ειδικευμένο προσωπικό, όπως ορίζεται στις σχετικές παραγράφους. Χρησιμοποιείτε μόνο γνήσια ανταλλακτικά. Η μη τήρηση των παραπάνω

οδηγιών μπορεί να θέσει σε κίνδυνο την ασφάλεια της συσκευής και απαλλάσσει τον κατασκευαστή από κάθε ευθύνη για τις συνέπειες.

- **Η συσκευή δεν επιτρέπεται να χρησιμοποιείται από άτομα ηλικίας κάτω των 8 ετών, με μειωμένη σωματική, αισθητηριακή ή διανοητική ικανότητα ή χωρίς την απαιτούμενη εμπειρία και εξοικείωση, εκτός εάν υπό επίβλεψη ή σύμφωνα με οδηγίες για την ασφαλή χρήση της συσκευής και τους κινδύνους που συνεπάγεται η χρήση αυτή.**
- **ΜΗΝ** επιτρέπετε στα παιδιά να παίζουν με τη συσκευή. Ο καθαρισμός και η συντήρηση του χρήστη δεν επιτρέπεται να γίνεται από παιδιά χωρίς επίβλεψη.
- **ΜΗΝ** αγγίζετε τη συσκευή όταν είστε ξυπόλητοι ή εάν οποιοδήποτε μέρος του σώματός σας είναι βρεγμένο.
- **ΜΗΝ** αφήνετε τα υλικά συσκευασίας (συρραπτικά, πλαστικές σακούλες, διογκωμένη πολυστερίνη κ.λπ.) κοντά στα παιδιά – μπορεί να προκαλέσουν σοβαρό τραυματισμό.
- Πριν χρησιμοποιήσετε τη συσκευή και μετά από τακτική ή έκτακτη συντήρηση, συνιστούμε να γεμίσετε τη δεξαμενή της συσκευής με νερό και να την αποστραγγίσετε εντελώς για να αφαιρέσετε τυχόν υπολειμματικές ακαθαρσίες.
- Εάν η συσκευή είναι εξοπλισμένη με καλώδιο τροφοδοσίας, το τελευταίο μπορεί να αντικατασταθεί μόνο από εξουσιοδοτημένο κέντρο σέρβις ή επαγγελματία τεχνικό.
- Είναι υποχρεωτικό να βιδώσετε στον σωλήνα εισόδου νερού της μονάδας μια βαλβίδα ασφαλείας σύμφωνα με τους εθνικούς κανονισμούς. Στις χώρες που έχουν θεσπίσει το πρότυπο EN 1487, η ομάδα ασφαλείας πρέπει να βαθμονομείται σε μέγιστη πίεση 0,7 MPa και να περιλαμβάνει τουλάχιστον στρόφιγγα, βαλβίδα αντεπιστροφής και ελέγχου, βαλβίδα ασφαλείας και διακοπή υδραυλικού φορτίου.
- Μην παραβιάζετε τη συσκευή ασφαλείας υπερπίεσης (βαλβίδα ή ομάδα ασφαλείας), εάν παρέχεται μαζί με τη συσκευή. Σκοντάψτε το από καιρό σε καιρό για να βεβαιωθείτε ότι δεν έχει μπλοκαριστεί και να αφαιρέσετε τυχόν εναποθέσεις κλίμακας.
- Είναι φυσιολογικό να στάζει νερό από τη συσκευή ασφαλείας υπερπίεσης όταν η συσκευή θερμαίνεται. Για το λόγο αυτό, η αποχέτευση πρέπει να συνδέεται, να αφήνεται πάντα ανοιχτή στην ατμόσφαιρα, με σωλήνα αποστράγγισης εγκατεστημένο σε συνεχή καθοδική κλίση και σε μέρος χωρίς πάγο.



- Βεβαιωθείτε ότι έχετε αποστραγγίσει τη συσκευή και την αποσυνδέετε από το ηλεκτρικό δίκτυο όταν είναι εκτός λειτουργίας σε περιοχή που υπόκειται σε θερμοκρασίες κάτω από το νερό.
- Το νερό που θερμαίνεται σε πάνω από 50 ° C μπορεί να προκαλέσει άμεσα σοβαρά εγκαύματα εάν παραδοθεί απευθείας στις βρύσες. Τα παιδιά, τα άτομα με αναπηρία και οι ηλικιωμένοι διατρέχουν ιδιαίτερο κίνδυνο. Συνιστούμε να εγκαταστήσετε μια θερμοστατική βαλβίδα ανάμιξης στη γραμμή παροχής νερού, επισημασμένη με κόκκινο κολάρο.
- Μην αφήνετε εύφλεκτα υλικά σε επαφή ή κοντά στη συσκευή.
- Μην τοποθετείτε τίποτα κάτω από το θερμοσίφωνα που μπορεί να καταστραφεί από διαρροή.

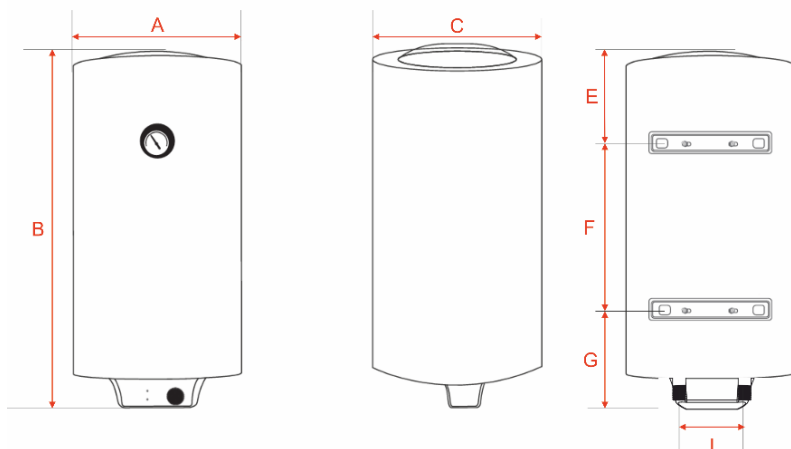
## Τεχνικά Χαρακτηριστικά

Για τις τεχνικές προδιαγραφές, ανατρέξτε στην πινακίδα (η πινακίδα βρίσκεται δίπλα στους σωλήνες εισαγωγής/εξόδου νερού).

| Υπόδειγμα   | Uni  | TA-30D.001A | TA-50D.002A |
|---|------|-------------|-------------|
| Χωρητικότητα δεξαμενής νερού                                    | L    | 30          | 50          |
| Ονομαστική ισχύς  | W    | 2000        | 2000        |
| Ονομαστική τάση   | ACV  | 220 – 240   | 220 – 240   |
| Ονομαστική πίεση νερού  | MPa  | 0.75        | 0.75        |
| Μέγιστη θερμοκρασία νερού                                       | (°C) | 75          | 75          |
| Αδιάβροχος βαθμός   | -    | IPX4        | IPX4        |
| Κατηγορία προστασίας  | -    | I           | I           |
| Εγκατάσταση   | -    | Vertical    | Vertical    |
| Ημερήσια κατανάλωση ηλεκτρικής ενέργειας – (Q <sub>elec</sub> ) | kWh  | 2.353       | 5.886       |
| Προφίλ φορτίου του μεγέθους                                     | -    | S           | M           |
| Ενεργειακή απόδοση θέρμανσης νερού - (η <sub>wh</sub> )         | %    | 36.6        | 39.8        |
| Τάξη ενεργειακής απόδοσης θέρμανσης νερού                       | -    | B           | B           |
| Στάθμη ηχητικής ισχύος (εσωτερικά) – (L <sub>wa</sub> )         | dB   | 15          | 15          |
| Ανάμιξη νερού στους 40°C - (V40)                                | L    | -           | 76          |
| Ετήσια κατανάλωση ενέργειας – (AEC)                             | kWh  | 504         | 1291        |

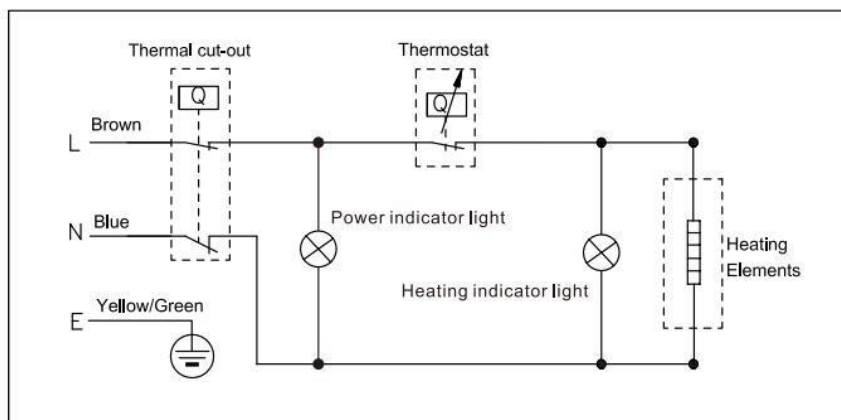
Τα στοιχεία κατανάλωσης ενέργειας και οι λοιπές πληροφορίες που δίνονται στον παραπάνω πίνακα βασίζονται στους Κανονισμούς (ΕΕ) 812/2013 και 814/2013.

## Διαστάσεις προϊόντος για εγκατάσταση (κάθετη λειτουργία)

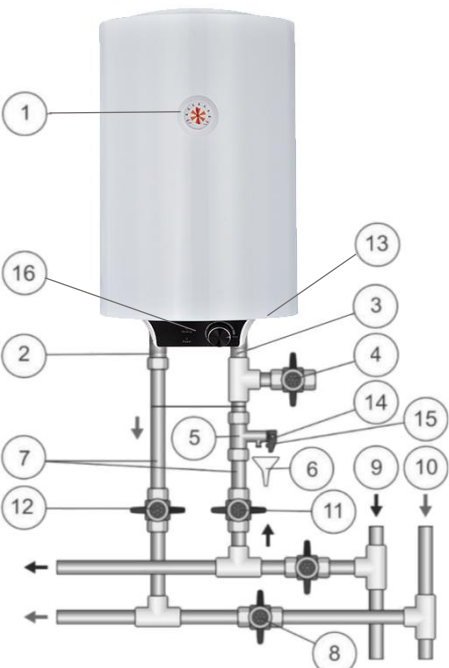
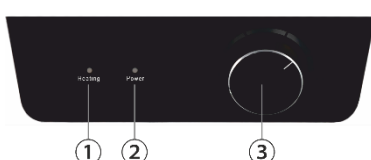


|              | TA-30D.001A | TA-50D.002A |
|--------------|-------------|-------------|
| Χωρητικότητα | 30 L        | 50 L        |
| A (MM)       | 340         | 340         |
| B (MM)       | 555         | 810         |
| C (MM)       | 340         | 340         |
| D (MM)       | 205         | 205         |
| E (MM)       | 150         | 155         |
| F (MM)       | 180         | 450         |
| G (MM)       | 225         | 205         |
| I (MM)       | 100         | 100         |
| Βάρος        | 11.6 kg     | 16.4 kg     |

## Διάγραμμα καλωδίωσης



## Σύντομη εισαγωγή της δομής του προϊόντος

|  |  |
|--|--|
|   | <p>1 – Σώμα ηλεκτρικού θερμοσίφωνα<br/>2 – Σωλήνας ζεστού νερού<br/>3 – Σωλήνας κρύου νερού<br/>4 - Βαλβίδα αποστράγγισης<br/>5 – Βαλβίδα ασφαλείας<br/>6 – Αποστραγγίστε στον αποχετευτικό αγωγό<br/>7 - Είσοδος<br/>8 - κύρια βαλβίδα διακοπής<br/>9 – Γραμμή κρύου νερού<br/>10 – Γραμμή ζεστού νερού<br/>11 - βαλβίδα διακοπής κρύου νερού<br/>12 - Βαλβίδα διακοπής ζεστού νερού<br/>13 – προστατευτικό κάλυμμα<br/>14 - Σωλήνας εξόδου βαλβίδας ασφαλείας<br/>15 - Λαβή ανοίγματος βαλβίδας ασφαλείας<br/>16 - Πίνακας ελέγχου</p> |
|  | <p>1 – Ένδειξη "Θέρμανση"<br/>2 – Ένδειξη "Ισχύς"<br/>3 - Ελεγκτής θερμοκρασίας</p>  |

## Χαρακτηριστικά απόδοσης

- Πλήρως αυτόματος έλεγχος: αυτόματη προσθήκη κρύου νερού, αυτόματη θέρμανση.
- Τετραπλή προστασία ασφαλείας: πολλαπλές συσκευές προστασίας ασφαλείας, όπως προστασία ξηρής θέρμανσης, προστασία εκτός θερμοκρασίας, προστασία ηλεκτρικής διαρροής, προστασία υψηλής υδραυλικής πίεσης, αντισκωριακή προστασία κ.λπ., ασφαλείς και αξιόπιστες.

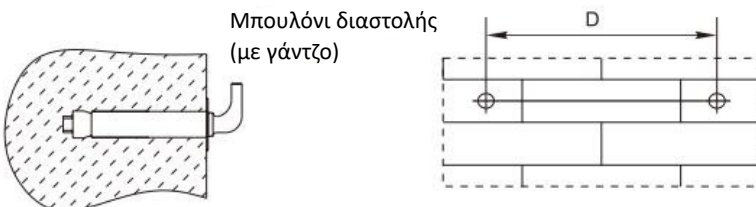
- Εμαγιέ εσωτερικό δοχείο: κατασκευάζεται με τη χρήση προηγμένης τεχνικής επισφάλτωσης. Είναι αντισκωριακό, ανθεκτικό στη διάβρωση, ανθεκτικό στην κρούστα, στεγανό, με μεγαλύτερη διάρκεια ζωής.
- Θερμαντικό στοιχείο σχεδιασμένο με χαμηλό θερμικό φορτίο: ασφαλές και αξιόπιστο, για μεγαλύτερη διάρκεια ζωής.
- Πυκνός ενσωματωμένος αφρισμός ουρεθάνης: καλό αποτέλεσμα θερμομόνωσης, ενεργειακά αποδοτικό και εξοικονόμηση ηλεκτρικής ενέργειας.
- Ελεγκτής θερμοκρασίας: Ακριβής και αξιόπιστος έλεγχος της θερμοκρασίας.
- Ρυθμιζόμενο εύρος θερμοκρασίας νερού από 30 έως 75°C.
- Απλό και εύκολο στη χρήση.

## Μέθοδοι εγκατάστασης

**Σημείωση:** Βεβαιωθείτε ότι χρησιμοποιείτε τα αξεσουάρ που παρέχονται μαζί με το προϊόν για να εγκαταστήσετε αυτόν τον ηλεκτρικό θερμοσίφωνα. Αυτός ο ηλεκτρικός θερμοσίφωνα δεν μπορεί να κρεμαστεί στο στήριγμα μέχρι να επιβεβαιωθεί ότι είναι σταθερός και αξιόπιστος. Διαφορετικά, ο ηλεκτρικός θερμοσίφωνα μπορεί να πέσει από τον τοίχο, με αποτέλεσμα τη ζημιά του θερμοαντήρα, ακόμη και σοβαρά ατυχήματα τραυματισμού. Κατά τον προσδιορισμό των θέσεων των οπών των μπουλονιών, πρέπει να διασφαλίζεται ότι υπάρχει απόσταση τουλάχιστον 0,2 m στη δεξιά πλευρά του ηλεκτρικού θερμοαντήρα, για να διευκολύνεται η συντήρηση του θερμοαντήρα, εάν είναι απαραίτητο.

## Οδηγίες εγκατάστασης

1. Αυτός ο ηλεκτρικός θερμοαντήρας νερού πρέπει να εγκατασταθεί στο συμπαγές τοίχωμα. Εάν η αντοχή του τοίχου δεν μπορεί να αντέξει το φορτίο ίσο με δύο φορές το συνολικό βάρος του θερμοαντήρα γεμάτου πλήρως με νερό, είναι απαραίτητο να εγκαταστήσετε ένα ειδικό στήριγμα.
2. Αφού επιλέξετε την κατάλληλη θέση, καθορίστε τις θέσεις των δύο οπών εγκατάστασης που χρησιμοποιούνται για τους κοχλίες διαστολής με γάντζο. Σύμφωνα με το μέγεθος D του σχεδίου, ανοίξτε δύο οπές στον τοίχο με το αντίστοιχο βάθος και μέγεθος που ταιριάζει με τους κοχλίες διαστολής, τοποθετήστε τον κοχλία, γυρίστε το άγκιστρο προς τα πάνω, σφίξτε τα παξιμάδια για να στερεωθεί σταθερά και στη συνέχεια κρεμάστε τον θερμοσίφωνα σε αυτό.



3. Τοποθετήστε την πρίζα τροφοδοσίας στον τοίχο. Η υποδοχή τροφοδοσίας πρέπει να είναι 3 καρφίτσες, μονοφασικές, 230V/16A. Συνιστάται η τοποθέτηση της πρίζας στα δεξιά πάνω από τον θερμαντήρα. Το ύψος της πρίζας προς το έδαφος δεν πρέπει να είναι μικρότερο από 1,8 μέτρα.
4. Εάν το μπάνιο είναι πολύ μικρό, ο θερμαντήρας μπορεί να εγκατασταθεί σε άλλο μέρος. Ωστόσο, προκειμένου να μειωθούν οι απώλειες θερμότητας του αγωγού, η θέση εγκατάστασης του θερμαντήρα πρέπει να είναι κλειστή στη θέση για χρήση νερού όσο το δυνατόν πλησιέστερα.

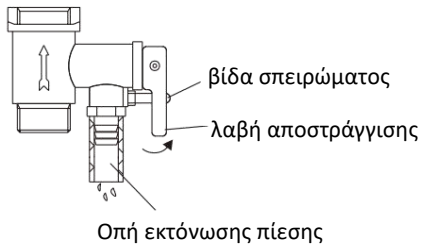
## Σύνδεση αγωγών

1. Η διάσταση κάθε τμήματος σωλήνα είναι G1/2".
2. Σύνδεση μονόδρομης βαλβίδας ασφαλείας: τοποθετήστε τη μονόδρομη βαλβίδα ασφαλείας που συνδέεται με το μηχάνημα στην είσοδο νερού του κύριου μηχανήματος. (Προσέξτε να διατηρήσετε τους εγκατεστημένους εύκαμπτους σωλήνες αποστράγγισης της βαλβίδας ασφαλείας κεκλιμένους προς τα κάτω και συνδεδεμένους με την ατμόσφαιρα.)
3. Για να αποφευχθεί η διαρροή κατά τη σύνδεση των αγωγών, τα ελαστικά παρεμβύσματα στεγανοποίησης που παρέχονται με το μηχάνημα πρέπει να προστεθούν στο τέλος των σπειρωμάτων.

## Ιδιαίτερη προσοχή

- Ο τοίχος στον οποίο είναι εγκατεστημένος ο ηλεκτρικός θερμαντήρας νερού πρέπει να μπορεί να αντέξει το φορτίο περισσότερο από δύο φορές του θερμαντήρα που είναι γεμάτος πλήρως με νερό χωρίς παραμόρφωση και ρωγμές, διαφορετικά πρέπει να ληφθούν άλλα μέτρα ενίσχυσης.
- Η πρίζα τροφοδοσίας πρέπει να γειωθεί αξιόπιστα. Το ονομαστικό ρεύμα του ρευματολήπτη δεν πρέπει να είναι μικρότερο από 16A.
- Το ύψος εγκατάστασης της πρίζας δεν πρέπει να είναι μικρότερο από 1,8m. Η πρίζα και το βύσμα πρέπει να διατηρούνται στεγνά για την αποφυγή ηλεκτρικής διαρροής. Ελέγχετε συχνά εάν τα βύσματα έρχονται σε καλή επαφή με την πρίζα.
- Για τη χρήση της πρώτης φοράς (ή της πρώτης χρήσης μετά από συντήρηση ή καθαρισμό), ο θερμαντήρας δεν μπορεί να ενεργοποιηθεί μέχρι να γεμίσει πλήρως με νερό. Κατά την αρχειοθέτηση του νερού, πρέπει να ανοίξει τουλάχιστον μία από τις βαλβίδες εξόδου στην έξοδο του θερμαντήρα για να εξέλθει ο αέρας. Αυτή η βαλβίδα μπορεί να κλείσει αφού ο θερμαντήρας γεμίσει πλήρως με νερό.
- Η ανακουφιστική βαλβίδα που συνδέεται με τον θερμαντήρα πρέπει να εγκατασταθεί στην είσοδο κρύου νερού αυτού του θερμαντήρα και βεβαιωθείτε ότι δεν εκτίθεται στην ομίχλη.
- Το νερό μπορεί να εκχυθεί από τη βαλβίδα εκτόνωσης πίεσης, οπότε ο σωλήνας εκροής πρέπει να ανοίξει διάπλατα στον αέρα.

- Προκειμένου να αποστραγγιστεί το νερό μέσα στο εσωτερικό δοχείο, μπορεί να αποστραγγιστεί μακριά από τη βαλβίδα απελευθέρωσης πίεσης. Περιστρέψτε τη βίδα σπειρώματος της βαλβίδας απελευθέρωσης πίεσης και σηκώστε τη λαβή αποστράγγισης προς τα πάνω.



- Ο σωλήνας αποστράγγισης που συνδέεται με την οπή απελευθέρωσης πίεσης πρέπει να διατηρείται κεκλιμένος προς τα κάτω και σε περιβάλλον χωρίς παγετό. Το νερό μπορεί να στάζει από το σωλήνα εκκένωσης της ανακουφιστικής διάταξης και ότι ο σωλήνας αυτός πρέπει να παραμείνει ανοικτός στην ατμόσφαιρα.
- Η βαλβίδα εκτόνωσης πίεσης πρέπει να ελέγχεται και να καθαρίζεται τακτικά, ώστε να βεβαιωθείτε ότι δεν θα μπλοκαριστεί.
- Δεδομένου ότι η θερμοκρασία του νερού στο εσωτερικό του θερμαντήρα μπορεί να φτάσει έως και 75 ° C, το ζεστό νερό δεν πρέπει να εκτίθεται στο ανθρώπινο σώμα όταν χρησιμοποιείται αρχικά. Ρυθμίστε τη θερμοκρασία του νερού σε κατάλληλη θερμοκρασία για να αποφύγετε το ζεμάτισμα.
- Εάν το εύκαμπτο καλώδιο τροφοδοσίας έχει υποστεί ζημιά, πρέπει να επιλεγεί το ειδικό καλώδιο τροφοδοσίας που παρέχεται από τον κατασκευαστή και να αντικατασταθεί από το επαγγελματικό προσωπικό συντήρησης
- Εάν οποιαδήποτε μέρη και εξαρτήματα αυτού του ηλεκτρικού θερμοσίφωνα έχουν υποστεί ζημιά, επικοινωνήστε με τον πελάτη μετά την πώληση για επισκευή.

## Μέθοδοι χρήσης

- Αρχικά, ανοίξτε οποιαδήποτε από τις βαλβίδες εξόδου στην έξοδο του θερμοσίφωνα και, στη συνέχεια, ανοίξτε τη βαλβίδα εισαγωγής. Ο θερμοσίφωνα γεμίζει με νερό. Όταν ρέει νερό έξω από το σωλήνα εξόδου, αυτό σημαίνει ότι ο θερμαντήρας έχει γεμίσει πλήρως με νερό και η βαλβίδα εξόδου μπορεί να κλείσει.
- **Σημείωση:** Κατά την κανονική λειτουργία, η βαλβίδα εισαγωγής πρέπει να ρυθμιστεί στην κατάσταση "**ανοικτή**".
- Τοποθετήστε το βύσμα τροφοδοσίας στην πρίζα, η ενδεικτική λυχνία θέρμανσης θα είναι αναμμένη αυτήν τη στιγμή.

- Ο θερμοστάτης θα ελέγχει αυτόματα τη θερμοκρασία. Όταν η θερμοκρασία του νερού μέσα στον θερμαντήρα φτάσει στη ρυθμισμένη θερμοκρασία, θα απενεργοποιηθεί αυτόματα, όταν η θερμοκρασία του νερού πέσει κάτω από το σημείο ρύθμισης, ο θερμαντήρας θα ενεργοποιηθεί αυτόματα για να αποκατασταθεί η θέρμανση.

## Συντήρηση

1. Ελέγχετε συχνά το βύσμα και την πρίζα του τροφοδοτικού για να βεβαιωθείτε ότι έχουν καλή, αξιόπιστη επαφή και είναι καλά γειωμένα χωρίς φαινόμενο υπερθέρμανσης.
2. Εάν ο θερμαντήρας δεν χρησιμοποιείται για μεγάλο χρονικό διάστημα, ιδίως σε περιοχές με χαμηλή ατμοσφαιρική θερμοκρασία (χαμηλότερη από 0°C), το νερό στο εσωτερικό του θερμαντήρα πρέπει να αποστραγγίζεται. Αυτό θα αποτρέψει τη ζημιά στον θερμαντήρα λόγω της κατάψυξης του νερού στο εσωτερικό δοχείο, (Ανατρέξτε στις ειδικές προφυλάξεις σε αυτό το εγχειρίδιο για να αποστραγγίσει το νερό από το εσωτερικό δοχείο).
3. Προκειμένου να διασφαλιστεί ότι ο θερμοσίφωνας λειτουργεί αποτελεσματικά για μεγάλο χρονικό διάστημα, συνιστάται να καθαρίζετε περιοδικά το εσωτερικό δοχείο και τις εναποθέσεις στα ηλεκτρικά εξαρτήματα θέρμανσης.
4. Συνιστάται να εξετάζετε τα υλικά προστασίας ανόδου κάθε έξι μήνες περίπου. Εάν έχει καταναλωθεί όλο το υλικό, αντικαταστήστε το με το νέο υλικό.

## Αντιμετώπιση προβλημάτων

| Αποτυχίες                                    | Λόγους   | Θεραπεία   |
|--|--|--|
| Η ενδεικτική λυχνία θέρμανσης είναι σβηστή.  | Βλάβες του ελεγκτή θερμοκρασίας.   | Επικοινωνήστε με το εξειδικευμένο προσωπικό για επισκευή.  |
| Δεν βγαίνει νερό από την έξοδο ζεστού νερού. | <ol style="list-style-type: none"> <li>1. Η παροχή τρεχόμενου νερού διακόπτεται.</li> <li>2. Η υδραυλική πίεση είναι πολύ χαμηλή.</li> <li>3. Η βαλβίδα εισόδου τρεχόμενου νερού δεν είναι ανοιχτή.</li> </ol> | <ol style="list-style-type: none"> <li>1. Περιμένετε για αποκατάσταση της παροχής τρεχόμενου νερού.</li> <li>2. Χρησιμοποιήστε ξανά τον θερμαντήρα όταν αυξηθεί η υδραυλική πίεση.</li> <li>3. Ανοίξτε τη βαλβίδα εισόδου τρεχόμενου νερού.</li> </ol> |
| Η θερμοκρασία του νερού είναι πολύ υψηλή.    | Βλάβες του συστήματος ελέγχου θερμοκρασίας.  | Επικοινωνήστε με το εξειδικευμένο προσωπικό για επισκευή.  |
| Διαρροή νερού                                | Πρόβλημα στεγανοποίησης της άρθρωσης κάθε σωλήνα.  | Σφραγίστε τις αρθρώσεις.   |

## Δήλωση συμμόρφωσης ΕΕ

Αυτό το προϊόν έχει δοκιμαστεί και παραχθεί σύμφωνα με όλες τις σχετικές τρέχουσες κατευθυντήριες γραμμές CE, όπως:



- οδηγία για την ηλεκτρομαγνητική συμβατότητα 2014/30/ΕΕ,
- Οδηγία για τη χαμηλή τάση (LVD) οδηγία 2014/35/ΕΕ,
- RoHS με τις τροποποιήσεις της οδηγίας 2011/65/ΕΕ και (ΕΕ)2015/863,
- ErP Οδηγία 2009/125/ΕΚ για τα ενεργειακά προϊόντα

και έχει κατασκευαστεί σύμφωνα με τους πιο πρόσφατους κανονισμούς ασφαλείας. Το σήμα CE πιστοποιεί αυτό το προϊόν με όλες τις σχετικές οδηγίες.

## Διάθεση – Περιβαλλοντική πολιτική

### Συσκευασία



Το υλικό συσκευασίας είναι πλήρως ανακυκλώσιμο και επισημαίνεται με το σύμβολο ανακύκλωσης. Ακολουθήστε τους τοπικούς κανονισμούς για κατάργηση. Κρατήστε τα υλικά συσκευασίας (πλαστικές σακούλες, μέρη πολυστερίνης κ.λπ.) μακριά από παιδιά, καθώς είναι δυνητικά επικίνδυνα.

### Διάθεση

**Η συσκευή αυτή επισημαίνεται σύμφωνα με την ευρωπαϊκή οδηγία 2012/19/ΕΕ για τα απόβλητα ηλεκτρικού και ηλεκτρονικού εξοπλισμού (ΑΗΗΕ).**

Διασφαλίζοντας ότι αυτό το προϊόν απορρίπτεται σωστά, θα βοηθήσετε στην πρόληψη πιθανών αρνητικών συνεπειών για το περιβάλλον και την ανθρώπινη υγεία,



οι οποίες διαφορετικά θα μπορούσαν να προκληθούν από ακατάλληλο χειρισμό αποβλήτων αυτού του προϊόντος.

Αυτό το σύμβολο στο προϊόν ή στα έγγραφα που συνοδεύουν το προϊόν, υποδεικνύει ότι αυτή η συσκευή δεν μπορεί να αντιμετωπιστεί ως οικιακά απορρίμματα. Αντίθετα, παραδίδεται στο εφαρμοστέο σημείο συλλογής για την ανακύκλωση ηλεκτρικού και ηλεκτρονικού εξοπλισμού.

Η διάθεση πρέπει να πραγματοποιείται σύμφωνα με τους τοπικούς περιβαλλοντικούς κανονισμούς για τη διάθεση των αποβλήτων. Για περισσότερες πληροφορίες σχετικά με την επεξεργασία, την ανάκτηση και την ανακύκλωση αυτού του προϊόντος, επικοινωνήστε με το τοπικό γραφείο της πόλης, την υπηρεσία διάθεσης οικιακών απορριμμάτων ή το κατάστημα από το οποίο αγοράσατε το προϊόν.



## Όροι και Προϋποθέσεις Εγγύησης

1. Το προϊόν είναι εγγυημένο για την περίοδο που ορίζεται από τη νομοθεσία στην οποία διατίθεται στην αγορά, αρχής γενομένης από την ημερομηνία αγοράς, έναντι κατασκευαστικών ελαττωμάτων ή/και κατασκευής. Η έλλειψη συμμόρφωσης που εκδηλώνεται κατά την περίοδο αυτή τεκμαίρεται ότι υφίσταται κατά την ημερομηνία αγοράς. Μετά από αυτή την περίοδο, εναπόκειται στον πελάτη να αποδείξει ότι η έλλειψη συμμόρφωσης υπήρχε ήδη κατά τη στιγμή της παράδοσης .
2. Εάν, κατά τη διάρκεια της περιόδου εγγύησης, το προϊόν είναι ελαττωματικό σε κανονική χρήση, ο αγοραστής θα πρέπει να επικοινωνήσει με την εγκατάσταση πώλησης και να στείλει τη συσκευή στον τόπο που υποδεικνύεται από τον πωλητή.
3. Η εγγύηση ισχύει μόνο με την προσκόμιση του τιμολογίου που αποδεικνύει την αγορά και το συμπληρωμένο πιστοποιητικό εγγύησης (αναφέροντας την ημερομηνία αγοράς, το όνομα του εμπόρου, την αναφορά του μοντέλου και συνιστάται επίσης να αναφέρετε τον σειριακό αριθμό και τον αριθμό παρτίδας).
4. Ο εισαγωγέας/πωλητής διατηρεί το δικαίωμα να αρνηθεί τη βοήθεια εγγύησης σε περίπτωση που οι πληροφορίες αυτές έχουν διαγραφεί ή τροποποιηθεί μετά την αρχική αγορά του προϊόντος.
5. Η ευθύνη του εισαγωγέα/πωλητή περιλαμβάνει ιδίως τα έξοδα επισκευής ή/και αντικατάστασης της μονάδας που καλύπτεται από την εγγύηση με την επιφύλαξη του δικαιώματος αντικατάστασης της με ισοδύναμο προϊόν, σε περιπτώσεις όπου δεν είναι δυνατή η επισκευή της.
6. Η εγγύηση δεν ισχύει για προβλήματα που δεν σχετίζονται άμεσα με ελαττώματα υλικού, σχεδιασμού ή κατασκευής.
7. Αυτό το προϊόν είναι συσκευή και προορίζεται μόνο για οικιακή χρήση. Η εγγύηση θα είναι άκυρη εάν το προϊόν χρησιμοποιείται για επαγγελματικούς σκοπούς.
8. Η εγγύηση δεν καλύπτει ζημιές που προκαλούνται από κακή χρήση, ακατάλληλη εγκατάσταση, διαρροή, εξωτερικούς παράγοντες ή σκόπιμη ζημιά.
9. Η εγγύηση δεν καλύπτει ζημιές που προκύπτουν από πτώσεις, χρήση υπερβολικής δύναμης, χτυπήματα, έκθεση σε ακραίες περιβαλλοντικές συνθήκες ή φθορά που προκαλείται από την κανονική χρήση πλαστικών μερών ή ηλεκτρολογίων, καθώς και τη χρήση μπαταριών άλλων από αυτές που καθορίζονται στο παρόν εγχειρίδιο.
10. Η εγγύηση δεν καλύπτει την εγκατάσταση και τον προγραμματισμό από τον αντιπρόσωπο. Ειδικότερα, δεν μπορεί να γίνει δεκτή καμία αξίωση εγκατάστασης και δωρεάν προγραμματισμού από τον μεταπωλητή.
11. Η εγγύηση δεν καλύπτει ελλείψεις που επηρεάζουν ασήμαντα τη λειτουργία της συσκευής. Άλλα έξοδα, όπως η εγκατάσταση, η μεταφορά και η μετακίνηση του τεχνικού εξαιρούνται ρητά από την εγγύηση.
12. Η δυνατότητα εφαρμογής της εγγύησης προϋποθέτει ότι η συσκευή αποστέλλεται στον πωλητή ή τον τόπο που υποδεικνύεται από αυτόν, πλήρως και σε καλά προστατευμένη συσκευασία (ει δυνατόν, στην αρχική συσκευασία της) και συνοδεύεται από το φύλλο ή την κάρτα εγγύησης που έχει συμπληρωθεί δεόντως και απόδειξη αγοράς.
13. Εάν μετά την επαλήθευση, διαπιστωθεί ότι δεν υπάρχουν λόγοι για τον ισχυρισμό ή ότι το προϊόν δεν είναι ελαττωματικό, το γεννές κόστος θα καταλογιστεί στον πελάτη και ο έμπορος εξουσιοδοτείται να χρεώσει αυτά τα έξοδα στον πελάτη.
14. Η εγγύηση θα είναι άκυρη όταν εμφανίζει ενδείξεις ότι ένα μη εξουσιοδοτημένο άτομο έχει επιχειρήσει να πραγματοποιήσει επισκευές, τροποποιήσεις ή αντικατάσταση εξαρτημάτων στη συσκευή.
15. Οι επισκευές που πραγματοποιούνται μετά το τέλος της περιόδου εγγύησης υπόκεινται σε έξοδα.
16. Η παρούσα εγγύηση δεν επηρεάζει τα νόμιμα δικαιώματά σας που ενδέχεται να έχετε ως καταναλωτή σύμφωνα με το εφαρμοστέο εθνικό δίκαιο που διέπει την αγορά προϊόντων όπου πωλείται το προϊόν.
17. **Περίοδος εγγύησης:**  
**Χώρες της Ευρωπαϊκής Ένωσης** - Οι Ευρωπαϊκές οδηγίες (ΕΕ) 2019/771 και (ΕΕ) 2019/770 εφαρμόζονται σε ορισμένες πτυχές των συμβάσεων αγοράς και πώλησης κινητών αγαθών και μεταφέρονται στην εθνική νομοθεσία των χωρών τους.  
**Άλλες χώρες** - εφαρμόζεται εθνική νομοθεσία για τα δικαιώματα των καταναλωτών στη χώρα τους. Σε περίπτωση μη επίσημης νομοθεσίας, η εγγύηση εφαρμόζεται κατά τη διακριτική ευχέρεια του εισαγωγέα που διαθέτει το προϊόν στην αγορά ή στην εγκατάσταση πωλητή.





# Meet the family



## **HAEGERTEC, S.A.**

Edifício HAEGER – Pct. Cidade de Londres, 1  
Parque Industrial do Arneiro  
2660-456 S. Julião do Tojal  
PORTUGAL  
<https://www.haegergroup.com>

Tel: +351 21 949 83 00 (PBX)  
Tel: +351 21 949 83 02 (after sales support)  
Fax: +351 21 949 83 25  
e-mail: [assistencia@haegergroup.com](mailto:assistencia@haegergroup.com)  
e-mail: [comercial@haegergroup.com](mailto:comercial@haegergroup.com)



2406TA30D001A-EU